



DC -4.5 GHz Low Pass Filter

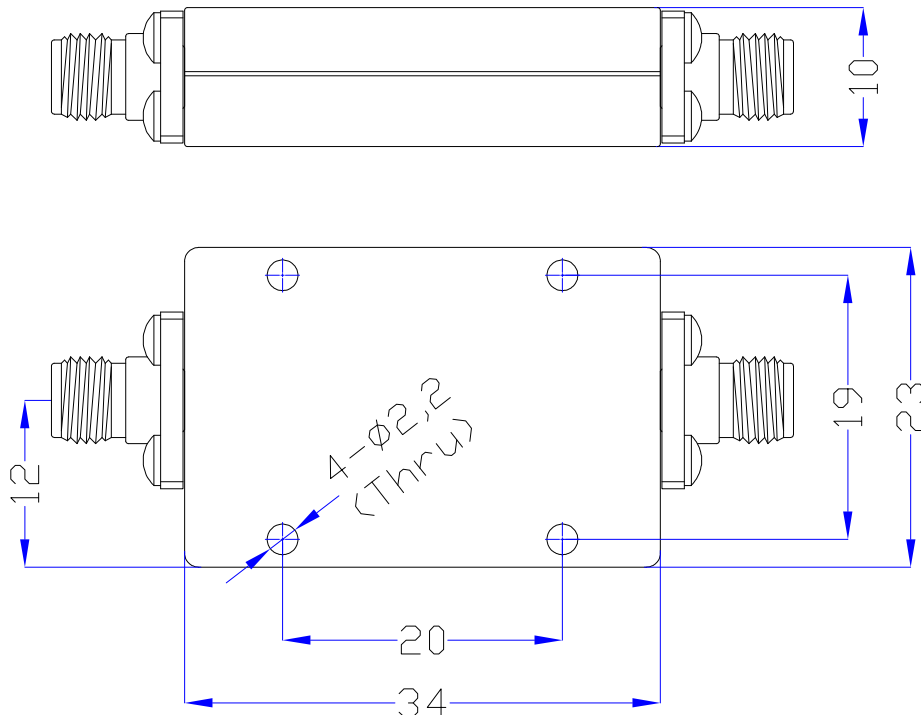
LPF-4D5GS1

RVA 1

Specifications

1	Pass Band Frequency	DC ~ 4.5 GHz
2	Pass Band Insertion Loss	≤1.0dB @ DC ~ 4.3GHz ≤1.5dB @ 4.3 ~ 4.5GHz
3	Pass Band VSWR	≤1.3
4	Stop Band Rejection	≥60dB @ 5.1 ~ 13.7GHz
5	Impedance	50 Ohms
6	Power Handling	15W Max.
7	Connectors	SMA Female
8	Surface Finish	Black Painted
9	Temperature Range	-55°C ~ +85°C
10	Dimensions	34*23*10mm
11	Net weight	About 25g

Dimensions (Unit: mm, Tolerance: ±0.3mm)





DC -4.5 GHz Low Pass Filter

LPF-4D5GS1

RVA 1

Typical Test Data

