



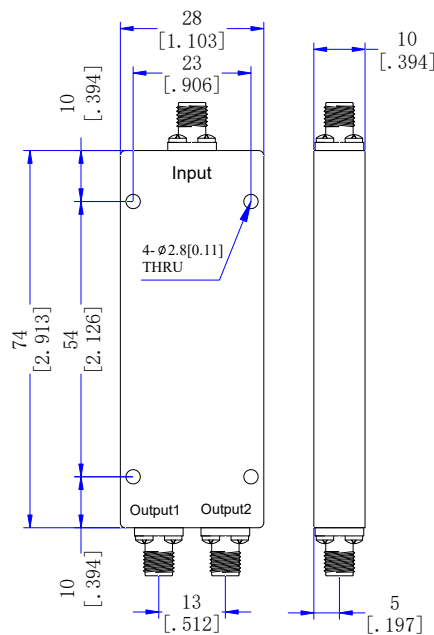
Electrical & Environmental

Impedance	50 ohm
Number of Output Ports	2 Way
Frequency Range	0.5-10 GHz
Insertion Loss	≤ 1.8dB (Excluding theoretical loss 3.0dB)
Input VSWR	1.3 max
Output VSWR	1.25 max
Isolation	18dB min
Amplitude Balance	≤ ±0.3dB
Phase Balance	≤ ±3°
Average Power Rating	20 Watts (As Divider), 1 Watts (As Combiner)
Operating Temperature	-45°C ~ +85°C

Mechanical

Input/Output Connectors	SMA Female
Housing Finishing	Painted Aluminum
Outline Dimensions	74*28*10 (mm)
Weight	About 56g

Dimensions(Unit: mm/[inch], Tolerance: ±0.3mm)





Typical Test Data

