



2 Way, 0.69-2.7 GHz, SMA, 30 Watts

Rev 1

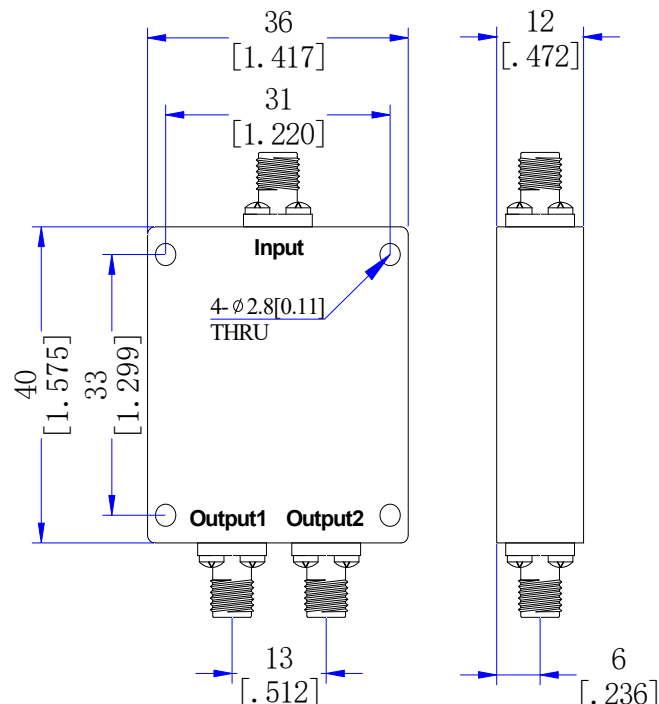
## Electrical & Environmental

Impedance	50 ohm
Number of Output Ports	2 Way
Frequency Range	0.69-2.7 GHz
Insertion Loss	≤ 0.5dB (Excluding theoretical loss 3.0dB)
Input VSWR	1.25 max
Output VSWR	1.2 max
Isolation	20dB min
Amplitude Balance	≤ ±0.2dB
Phase Balance	≤ ±2°
Average Power Rating	30 Watts (As Divider), 2 Watts (As Combiner)
Operating Temperature	-35°C ~ +75°C

## Mechanical

Input/Output Connectors	SMA Female
Housing Finishing	Sandblasting Aluminum with conductive oxidation
Outline Dimensions	40*36*12 (mm)
Weight	About 45g

**Dimensions**(Unit: mm/[inch], Tolerance: ±0.3mm)





### Typical Test Data

