

Power Divider

PDM-0206-S4

4 Way, 2-6 GHz, SMA, 30 Watts



Rev 1

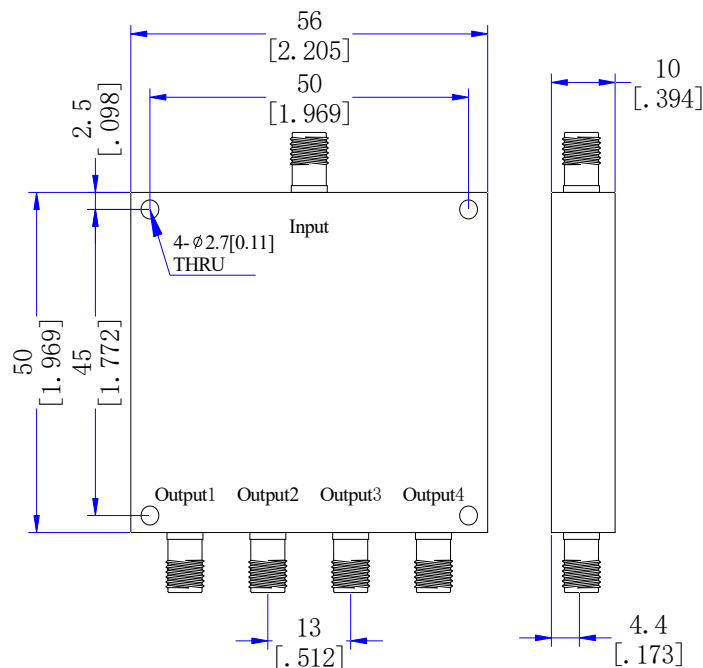
Electrical & Environmental

Impedance	50 ohm
Number of Output Ports	4 Way
Frequency Range	2-6 GHz
Insertion Loss	≤ 0.8dB (Excluding theoretical loss 6.0dB)
Input VSWR	1.25 max
Output VSWR	1.2 max
Isolation	20dB min
Amplitude Balance	≤ ±0.3dB
Phase Balance	≤ ±3°
Average Power Rating	30 Watts (As Divider), 2 Watts (As Combiner)
Operating Temperature	-45°C ~ +85°C

Mechanical

Input/Output Connectors	SMA Female
Housing Finishing	Painted Aluminum
Outline Dimensions	50*56*10 (mm)
Weight	About 64g

Dimensions(Unit: mm/[inch], Tolerance: ±0.3mm)



Power Divider

PDM-0206-S4

4 Way, 2-6 GHz, SMA, 30 Watts



Rev 1

Typical Test Data

