

Power Divider

PDM-0618-S4

4 Way, 6-18 GHz, SMA, 20 Watts



Rev 1

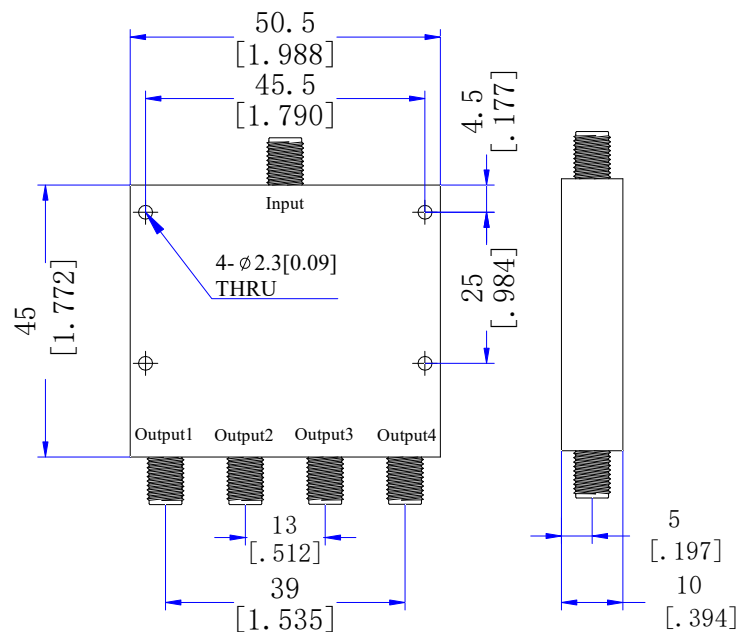
Electrical & Environmental

Impedance	50 ohm
Number of Output Ports	4 Way
Frequency Range	6-18 GHz
Insertion Loss	≤ 1.0dB (Excluding theoretical loss 6.0dB)
Input VSWR	1.4 max
Output VSWR	1.4 max
Isolation	18dB min
Amplitude Balance	≤ ±0.3dB
Phase Balance	≤ ±5°
Average Power Rating	20 Watts (As Divider), 1 Watts (As Combiner)
Operating Temperature	-45°C ~ +85°C

Mechanical

Input/Output Connectors	SMA Female
Housing Finishing	Painted Aluminum
Outline Dimensions	45*50.5*10 (mm)
Weight	About 110g

Dimensions(Unit: mm/[inch], Tolerance: ±0.3mm)



Power Divider

PDM-0618-S4

4 Way, 6-18 GHz, SMA, 20 Watts



Rev 1

Typical Test Data

