

PDR-06-S6

DC-6GHz, 6 Way SMA Resistive Power Divider



Rev 1

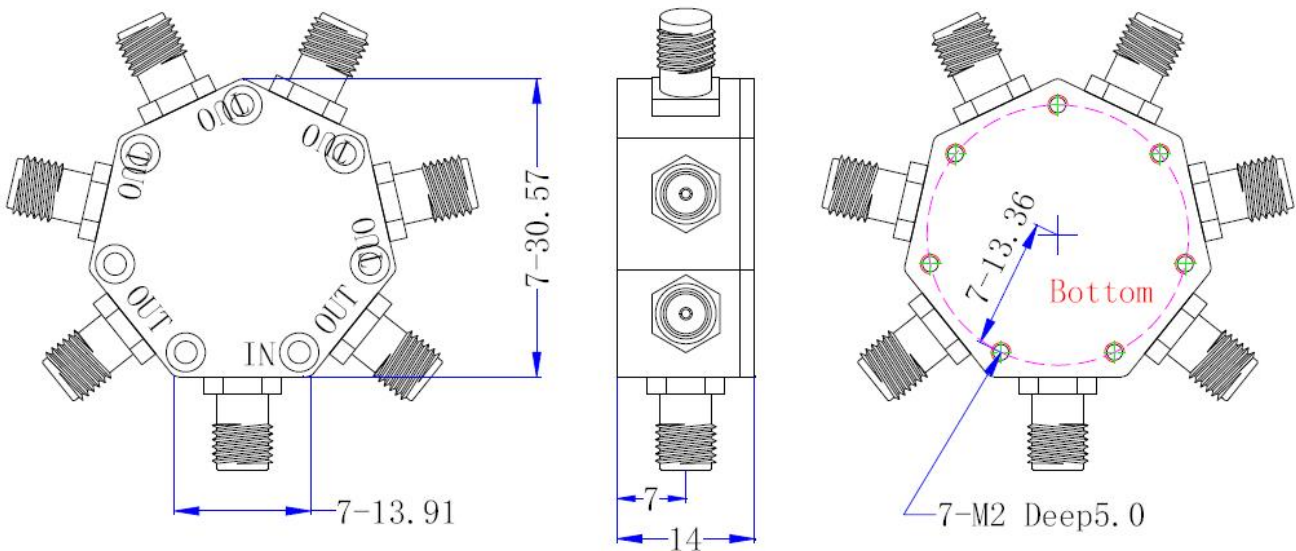
Electrical & Environmental

Impedance	50 ohm
Number of Output Ports	6 Way
Frequency Range	DC-6 GHz
Insertion Loss	16 ± 1.5 dB (Including theoretical loss 16dB)
VSWR	≤ 1.2
Input Power	1 Watts max
Operating Temperature	-40°C ~ +85°C

Mechanical

Input/Output Connectors	SMA Female Body: Brass or stainless steel, Center contact: Gold plated BeCu
Housing Finishing	Aluminum alloy housing, with electric conductive oxidation
Weight	30g

Dimensions (Unit: mm/[inch], Tolerance: ±0.3mm)





Typical Test Data

