

SMA Male to SMA Female Right Angle Adapter
DC-18 GHz, VSWR 1.15, For Cryogenic Application

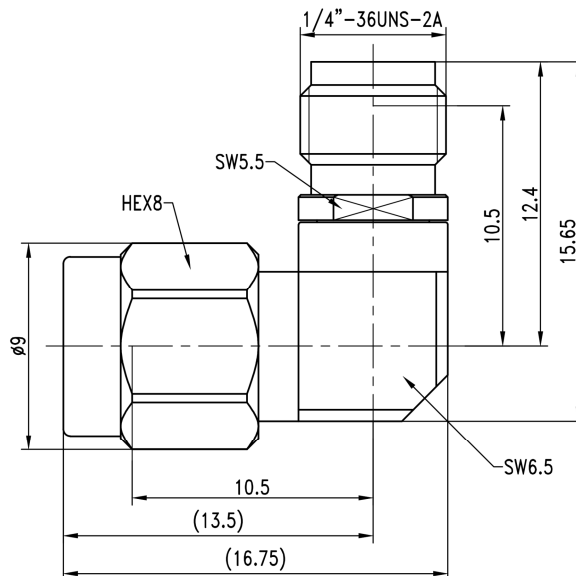
Electrical

Impedance	50 ohm
Frequency Range	DC-18 GHz
VSWR	1.15 max

Mechanical & Environmental

Connector Body	Non-magnetic brass, Gold Plated Nickel-free under-plating
Center Contact	Non-magnetic beryllium copper, Gold Plated Nickel-free under-plating
Insulator	PTFE
Net Weight	Approx 5g
Operating Temperature	4 K to +125°C

Dimensions(mm)



**SMA Male to SMA Female Right Angle Adapter
DC-18 GHz, VSWR 1.15, For Cryogenic Application**

Typical Test Data

