

**SMA Female to SMA Female Bulkhead Adapter**  
**DC-27 GHz, VSWR 1.2, For Cryogenic Application**

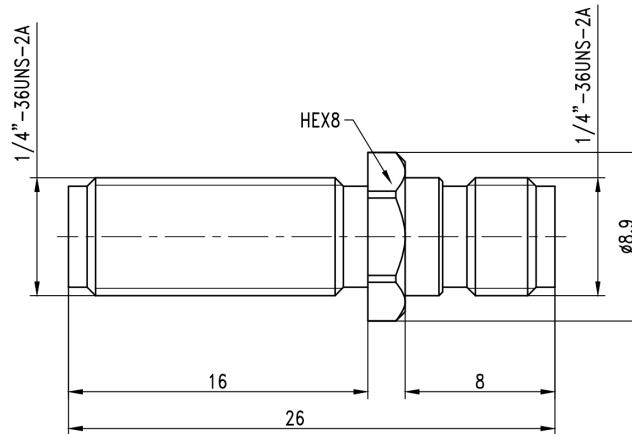
**Electrical**

Impedance	50 ohm
Frequency Range	DC-27 GHz
VSWR	1.2 max

**Mechanical & Environmental**

Connector Body	Non-magnetic brass, Gold Plated Nickel-free under-plating
Center Contact	Non-magnetic beryllium copper, Gold Plated Nickel-free under-plating
Insulator	PTFE
Net Weight	Approx 5g
Operating Temperature	4 K to +125°C

**Dimensions(mm)**



**SMA Female to SMA Female Bulkhead Adapter**  
**DC-27 GHz, VSWR 1.2, For Cryogenic Application**

**Typical Test Data**

