



**SMMP Male Termination, DC-18 GHz, 2 Watts
For Cryogenic Application**

Rev 1

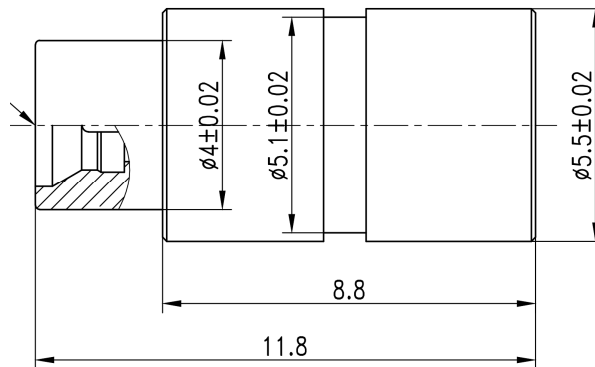
Electrical

Impedance	50 ohm
Frequency Range	DC-18 GHz
VSWR	1.25 max
Input Avg Power	2W@ 25°C ambient, derating linearly to 0.2W at 100°C

Mechanical & Environmental

Connector Body	Non-magnetic Gold plated beryllium copper(nickel-free under-plating)
Center Contact	Non-magnetic Gold plated beryllium copper(nickel-free under-plating)
Resistor Material	Thin Film
Net Weight	Approx 3g
Operating Temperature	4 K to +125°C

Dimensions(mm)



Typical Test Data

