

WR28 Waveguide Electromechanical Switch, DPDT, Latching, 24V, UBR320 Flange

Electrical

| | |
|-------------------|-------------|
| Switch Type | DPDT* |
| Actuator Type | Latching |
| Frequency Range | 26.3-40 GHz |
| VSWR | 1.15 max |
| Insertion Loss | 0.15 dB max |
| Isolation | 70 dB min |
| Input Power (CW) | 500 W max |
| Actuating Voltage | 24±2V DC |
| Actuating Current | 1A |



Generic photo used for illustration only

*Adding an additional waveguide load for SPDT option.

Mechanical & Environmental

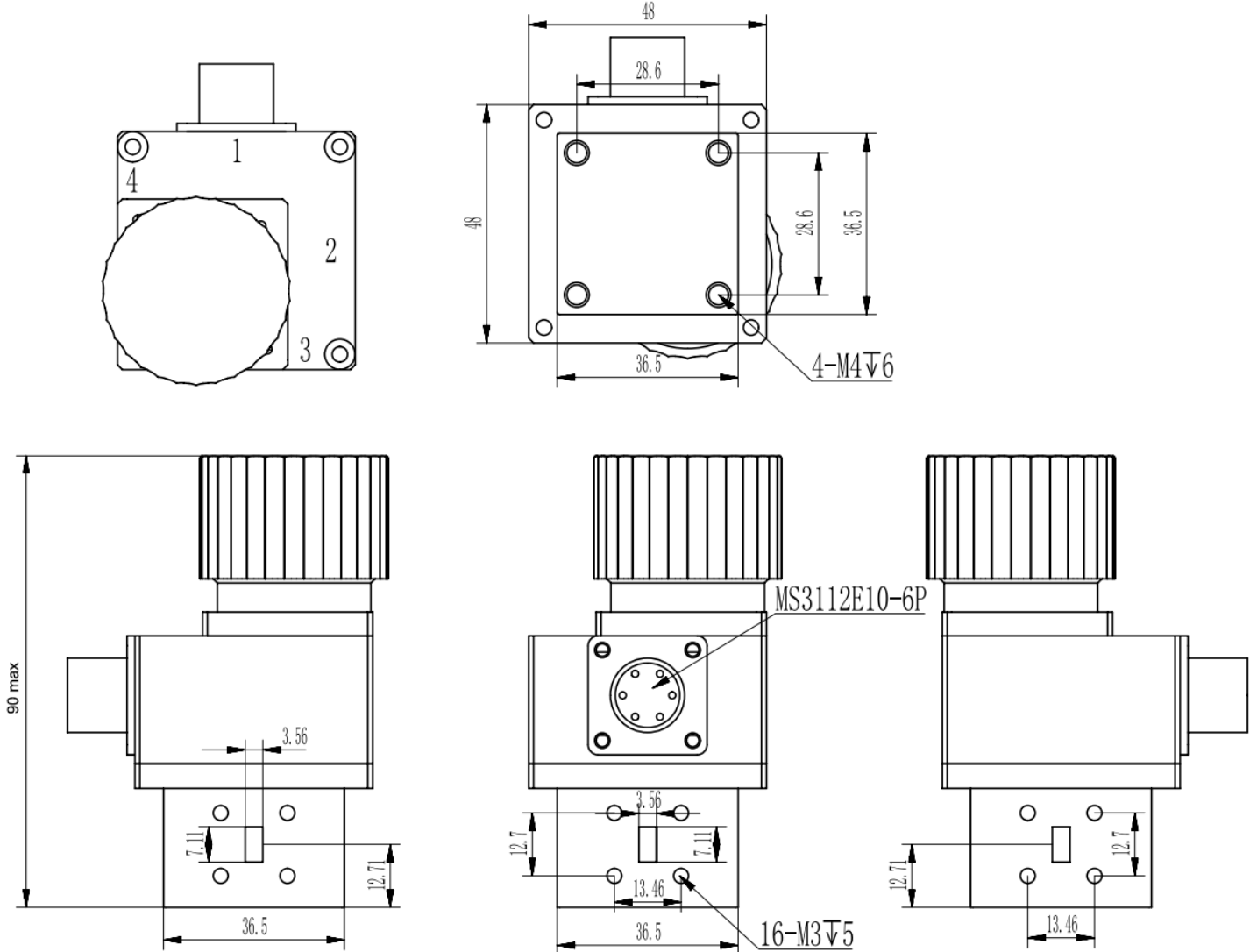
| | |
|---------------------------|--|
| Switching Time | 80 ms Typical |
| Operating Life | 0.1 Million Cycles |
| Waveguide Size | WR28 |
| Flange Type | UBR320 |
| Waveguide and Flange | Aluminum, Conductive Oxidation |
| Motor Finish | Black Anodizing |
| Actuator Terminals | MS3112E10-6P |
| Operating Temperature | -40 °C~+85 °C |
| Storage Temperature | -55 °C~+100 °C |
| Humidity | 100% with the cap** |
| Pressure | 30 PSIG with the cap, including the driver |
| Ingress Protection Rating | IP65 with the cap |

**The weatherized cap is an integral part of the switch.

Remove the cap for access to manual override.

WR28 Waveguide Electromechanical Switch, DPDT, Latching, 24V, UBR320 Flange

Drawing (Dimensions are in mm)



Schematic

