

**WR51 Waveguide Electromechanical Switch, DPDT, Latching, 24V, UBR180 Flange**

**Electrical**

Switch Type	DPDT*
Actuator Type	Latching
Frequency Range	14.5-22 GHz
VSWR	1.1 max
Insertion Loss	0.15 dB max
Isolation	65 dB min
Input Power (CW)	500 W max
Actuating Voltage	24±2V DC
Actuating Current	1A



Generic photo used for illustration only

\*Adding an additional waveguide load for SPDT option.

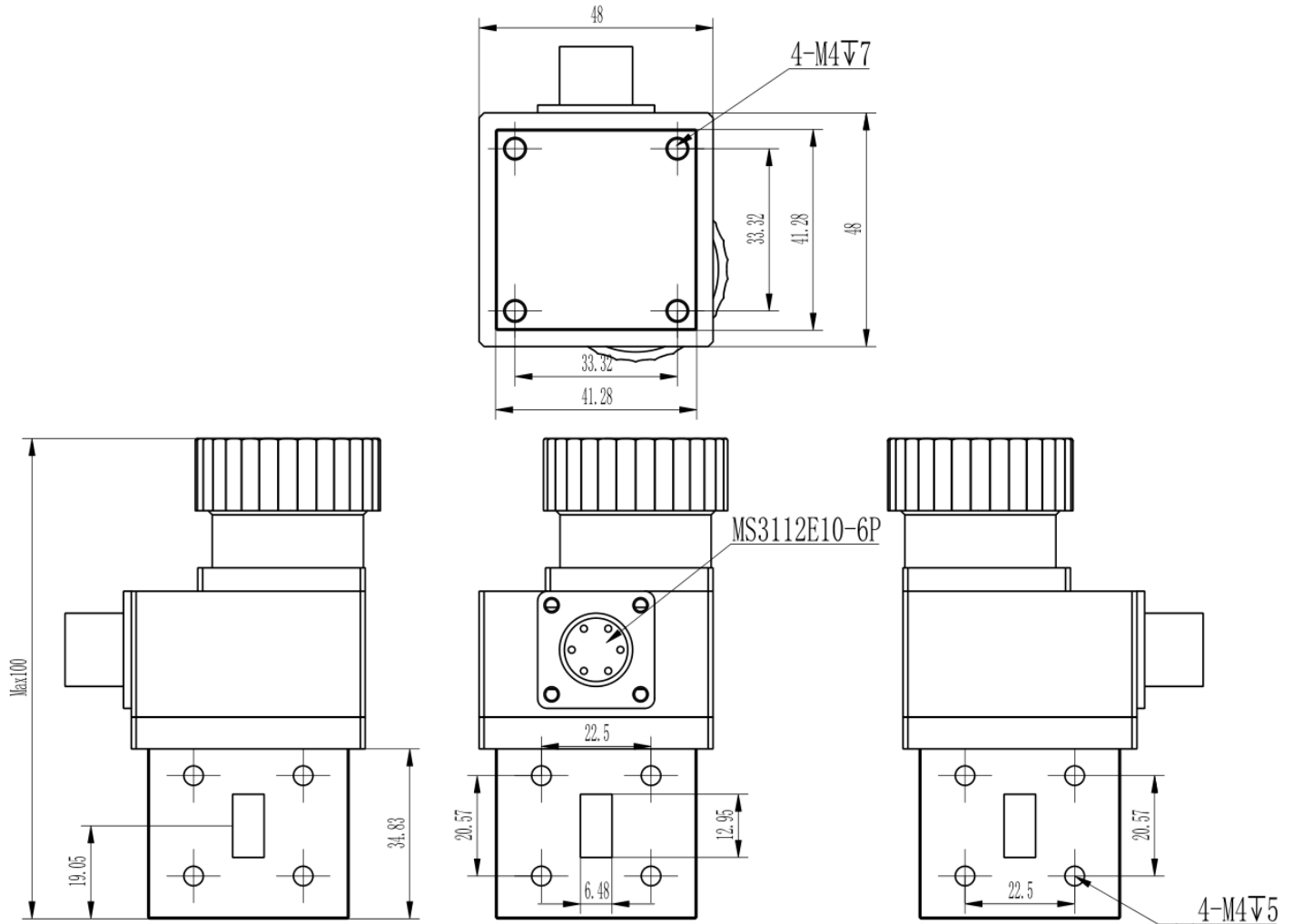
**Mechanical & Environmental**

Switching Time	80 ms Typical
Operating Life	0.1 Million Cycles
Waveguide Size	WR51
Flange Type	UBR180
Waveguide and Flange	Aluminum, Conductive Oxidation
Motor Finish	Black Anodizing
Actuator Terminals	MS3112E10-6P
Operating Temperature	-40°C~+85°C
Storage Temperature	-55°C~+100°C
Humidity	100% with the cap**
Pressure	30 PSIG with the cap, including the driver
Ingress Protection Rating	IP65 with the cap

\*\*The weatherized cap is an integral part of the switch.  
Remove the cap for access to manual override.

**WR51 Waveguide Electromechanical Switch, DPDT, Latching, 24V, UBR180 Flange**

**Drawing** (Dimensions are in mm)



**Schematic**

