



Coaxial Fixed Attenuator

RFH03XXNC2000-D

DC-3 GHz, 40-50 dB, 2000 Watts, N, Unidirectional, Fan-cooled

Rev 3

Electrical

Impedance	50 ohm	
Frequency Range	DC-3 GHz	
VSWR	1.4 max	
Input Avg Power	2000W@ 25°C ambient, derating linearly to 200W at 100°C	
Peak Power	10kW (5 micro-sec pulse width, 10% duty cycle)	
Direction	Unidirectional, N female input, N male output (other configurations available)	

Attenuation(dB)	40	50
Accuracy(dB)	±2	±2

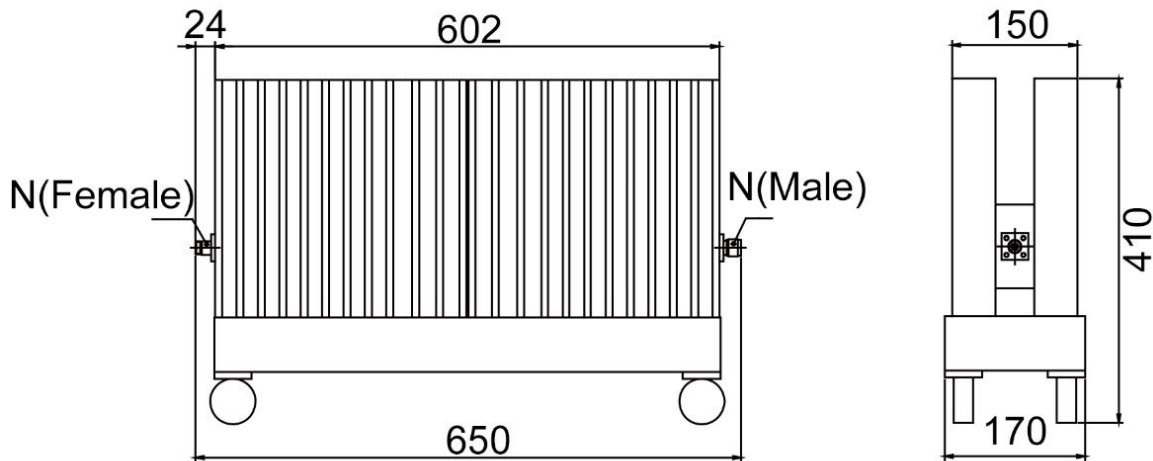
Mechanical

Connector Body	Nickel plated brass
Heat Sink	Black anodized aluminum
Center Contact	Gold plated beryllium copper/brass
Net Weight	About 34 kg

Environmental

Operating Temperature	-55°C to 100°C
Storage Temperature	-55°C to 125°C
RoHS	Compliant
Temperature Coefficient	<0.0004 dB/dB/°C

Dimensions(mm)



Notes

1. Supplied with power cord for fans, additional transformer and plug adapter available upon request.
2. Always switch on the electrical fan once the product is in operation.
3. Always pay attention to the direction of attenuators.

Model Description

RFH03XXNC2000-D

- 1.XX for dB value: 06=6dB,30=30dB
- 2.Code for connector configuration:
A=female for two ends; B=male for two ends
C=female for input and male for output;
D=male for input and female for output.