



Coaxial Fixed Attenuator

RFH06XXBD100-S

DC-6 GHz, 6-60 dB, 100 Watts, BNC, Unidirectional

Rev 3

Electrical

Impedance	50 ohm				
Frequency Range	DC-6 GHz				
VSWR	1.25 max				
Input Avg Power	100W@ 25°C ambient, derating linearly to 10W at 100°C				
Peak Power	5kW (5 micro-sec pulse width, 0.5% duty cycle)				
Direction	Unidirectional, BNC male input, BNC female output (other configurations available)				

Attenuation(dB)	6-10	20	30	40	50,60
Accuracy(dB)	±0.8	±0.8	±0.9	±0.9	±1.0

Mechanical

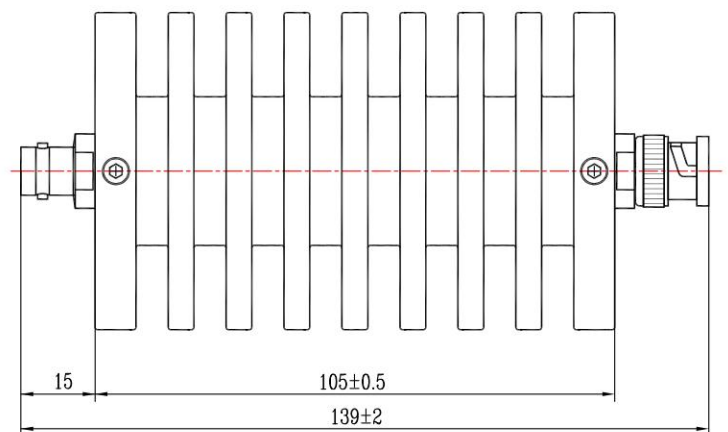
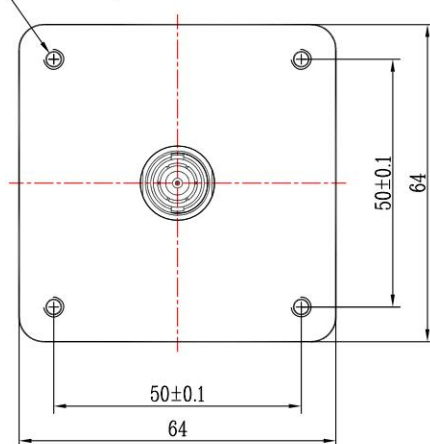
Connector Body	Ternary alloy plated brass
Heat Sink	Black anodized aluminum
Center Contact	Gold plated beryllium copper/brass
Net Weight	About 670 g

Environmental

Operating Temperature	-55°C to 100°C
Storage Temperature	-55°C to 125°C
RoHS	Compliant
Temperature Coefficient	<0.0004 dB/dB/°C

Dimensions(mm)

8×M4(both sides)



Notes

1. Always pay attention to the direction of attenuators.
2. To maintain best performance, recommended to use fan to keep the case temperature under 85°C.
3. Customized dB values, outlines and optimal accuracy/VSWR available.

Model Description

RFH06XXBD100-S

1. XX for dB value: 06=6dB, 30=30dB
2. Code for connector configuration:
 A=female for two ends; B=male for two ends
 C=female for input and male for output;
 D=male for input and female for output.