



Coaxial Fixed Attenuator

RFHB04XXSC50-S

DC-4 GHz, 3-40 dB, 50 Watts, SMA, Bidirectional

Rev 3

Electrical

Impedance	50 ohm			
Frequency Range	DC-4 GHz			
VSWR	1.15 max			
Input Avg Power	50W@ 25°C ambient, derating linearly to 5W at 100°C			
Peak Power	1kW (5 micro-sec pulse width, 2% duty cycle)			
Direction	Bidirectional, SMA female to SMA male (other configurations available)			

Attenuation(dB)	3	6-20	30	40
Accuracy(dB)	±0.4	±0.5	±0.7	±0.7

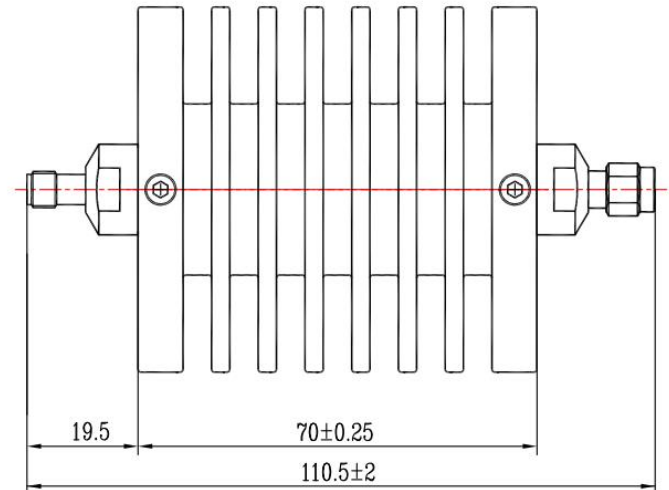
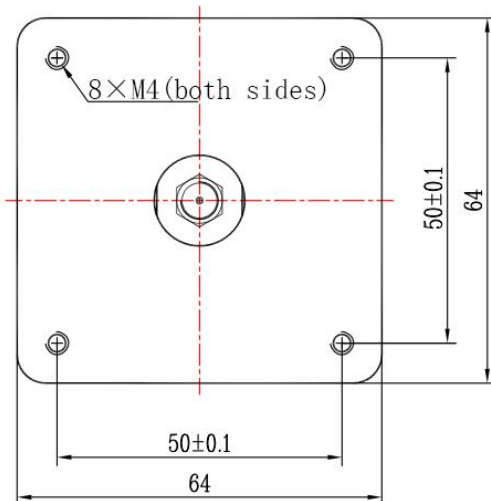
Mechanical

Connector Body	Ternary alloy plated brass
Heat Sink	Black anodized aluminum
Center Contact	Gold plated beryllium copper/brass
Net Weight	About 470 g

Environmental

Operating Temperature	-55°C to 100°C
Storage Temperature	-55°C to 125°C
RoHS	Compliant
Temperature Coefficient	<0.0004 dB/dB/°C

Dimensions(mm)



Notes

- 1.To maintain best performance, recommended to use fan to keep the case temperature under 85°C.
- 2.Customized dB values, outlines and optimal accuracy/VSWR available.

Model Description

RFHB04XXSC50-S

- 1.XX for dB value: 06=6dB,30=30dB
- 2.Code for connector configuration:
A=female for two ends; B=male for two ends
C=female for one end and male for the other.