

Electrical

Impedance	50 ohm		
Frequency Range	DC-6 GHz		
VSWR	1.25 max		
Input Avg Power	5W@ 25°C ambient, derating linearly to 0.5W at 100°C		
Peak Power	500W (5 micro-sec pulse width, 0.5% duty cycle)		
Direction	Bidirectional, BNC female to BNC male (other configurations available)		

Attenuation(dB)	1-7	7-20	21-30
Accuracy(dB)	±0.3	±0.5	±0.75

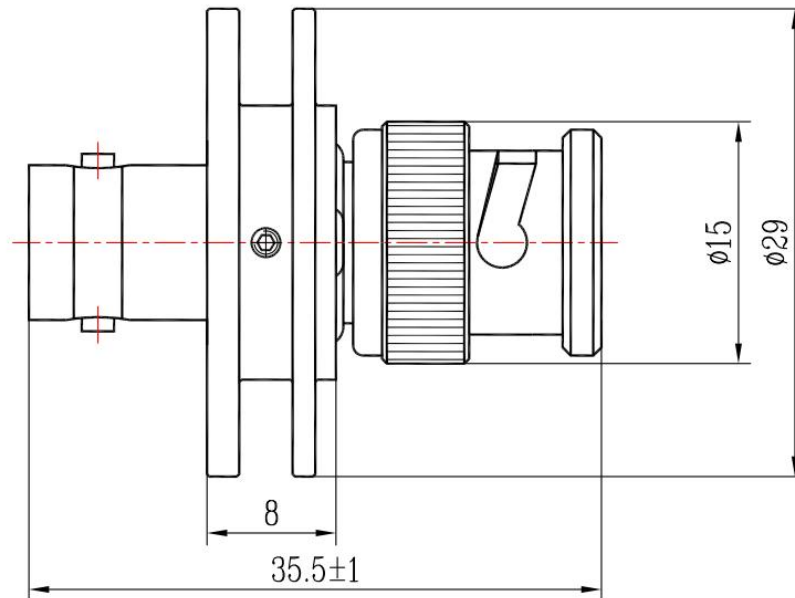
Mechanical

Connector Body	Ternary alloy plated brass
Heat Sink	Black anodized aluminum
Center Contact	Gold plated beryllium copper/brass
Net Weight	About 20g

Environmental

Operating Temperature	-55°C to 100°C
Storage Temperature	-55°C to 125°C
RoHS	Compliant
Temperature Coefficient	<0.0004 dB/dB/°C

Dimensions(mm)



Notes

- 1.To maintain best performance, recommended to use fan to keep the case temperature under 85°C.
- 2.Customized dB values, outlines and optimal accuracy/VSWR available.

Model Description

RFHB06XXBC5

- 1.XX for dB value: 06=6dB,30=30dB
- 2.Code for connector configuration:
A=female for two ends; B=male for two ends
C=female for one end and male for the other.