



Coaxial Fixed Attenuator

RFHB08XXSC50-S

DC-8.5 GHz, 3-40 dB, 50 Watts, SMA, Bidirectional

Rev 3

Electrical

| | | | | |
|------------------------|--|--|--|--|
| Impedance | 50 ohm | | | |
| Frequency Range | DC-8.5 GHz | | | |
| VSWR | 1.2 max | | | |
| Input Avg Power | 50W@ 25°C ambient, derating linearly to 5W at 100°C | | | |
| Peak Power | 1kW (5 micro-sec pulse width, 2% duty cycle) | | | |
| Direction | Bidirectional, SMA female to SMA male (other configurations available) | | | |

| | | | | |
|------------------------|------|------|------|------|
| Attenuation(dB) | 3 | 6-20 | 30 | 40 |
| Accuracy(dB) | ±0.5 | ±0.6 | ±0.8 | ±0.8 |

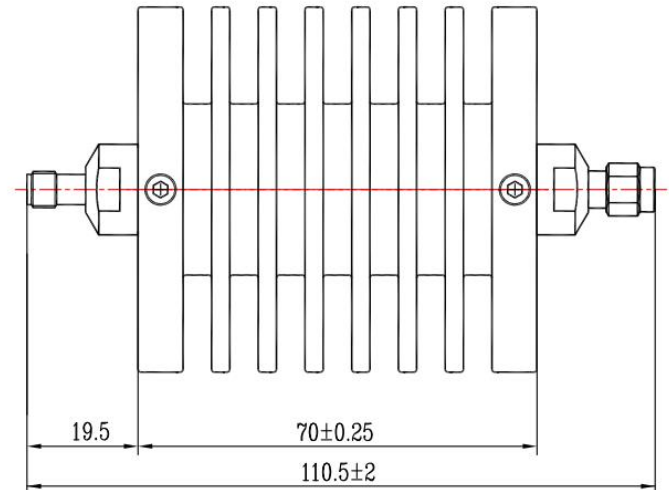
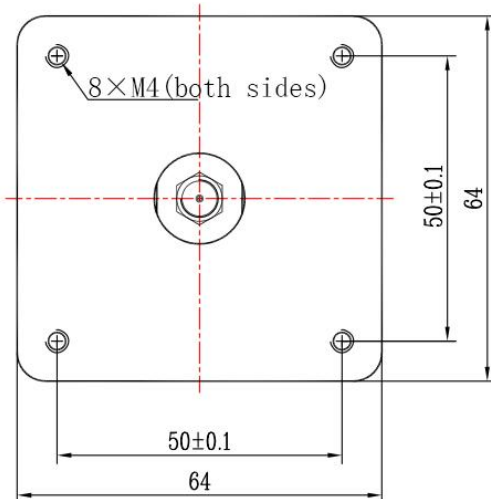
Mechanical

| | |
|-----------------------|------------------------------------|
| Connector Body | Ternary alloy plated brass |
| Heat Sink | Black anodized aluminum |
| Center Contact | Gold plated beryllium copper/brass |
| Net Weight | About 470 g |

Environmental

| | |
|--------------------------------|------------------|
| Operating Temperature | -55°C to 100°C |
| Storage Temperature | -55°C to 125°C |
| RoHS | Compliant |
| Temperature Coefficient | <0.0004 dB/dB/°C |

Dimensions(mm)



Notes

- 1.To maintain best performance, recommended to use fan to keep the case temperature under 85°C.
- 2.Customized dB values, outlines and optimal accuracy/VSWR available.

Model Description

RFHB08XXSC50-S

- 1.XX for dB value: 06=6dB,30=30dB
- 2.Code for connector configuration:
A=female for two ends; B=male for two ends
C=female for one end and male for the other.