

Coaxial Fixed Attenuator

RFHB18XXTC10

DC-18 GHz, 1-60 dB, 10 Watts, TNC, Bidirectional

Rev 5

Electrical

Impedance	50 ohm				
Frequency Range	DC-18 GHz				
VSWR	1.45 max				
Input Avg Power	10W@ 25°C ambient, derating linearly to 1W at 100°C				
Peak Power	500W (5 micro-sec pulse width, 1% duty cycle)				
Direction	Bidirectional, TNC female to TNC male (other configurations available)				

Attenuation(dB)	1-10	11-20	21-30	31-40	41-60
Accuracy(dB)	±0.8	±0.9	±1.1	±1.2	±1.5

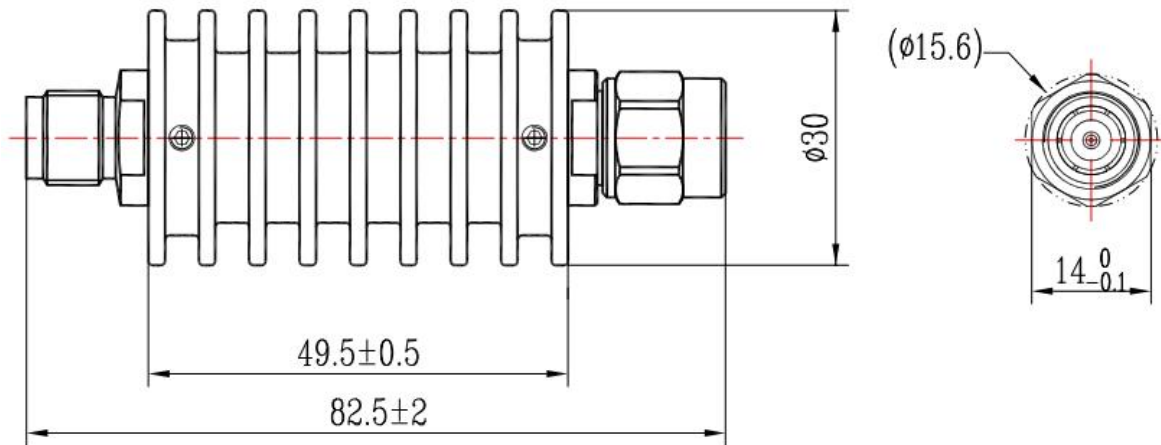
Mechanical

Connector Body	Ternary alloy plated brass
Heat Sink	Black anodized aluminum
Center Contact	Gold plated beryllium copper/brass
Net Weight	Approx 100 g

Environmental

Operating Temperature	-55°C to 100°C
Storage Temperature	-55°C to 125°C
RoHS	Compliant
Temperature Coefficient	<0.0004 dB/dB/°C

Dimensions(mm)



Notes

- 1.To maintain best performance, recommended to use fan to keep the case temperature under 85°C.
- 2.Customized dB values, outlines and optimal accuracy/VSWR available.

Model Description

RFHB18XXTC10

- 1.XX for dB value: 06=6dB,30=30dB
- 2.Code for connector configuration:
A=female for two ends; B=male for two ends
C=female for one end and male for the other.