



Coaxial RF Termination

RFT04150N1-DM

DC-4 GHz, N Female, 150 Watts

Rev 1

Electrical

| | |
|------------------------|---|
| Impedance | 50 ohm |
| Frequency Range | DC-4 GHz |
| VSWR | 1.2 max |
| Input Avg Power | 150W@ 25°C ambient, derating linearly to 15W at 100°C |
| Peak Power | 5kW (5 micro-sec pulse width, 1% duty cycle) |

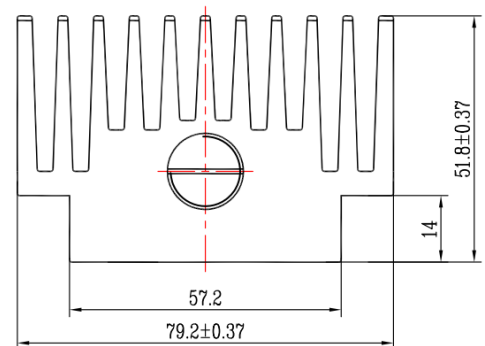
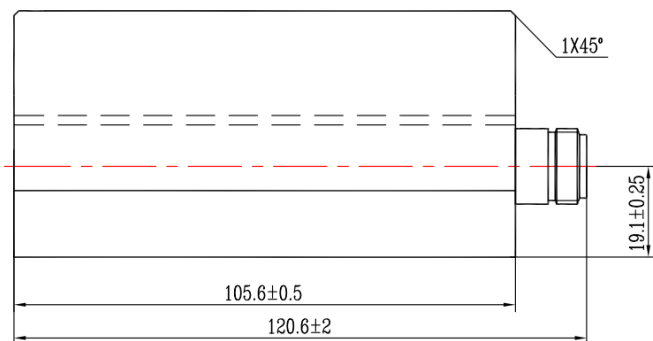
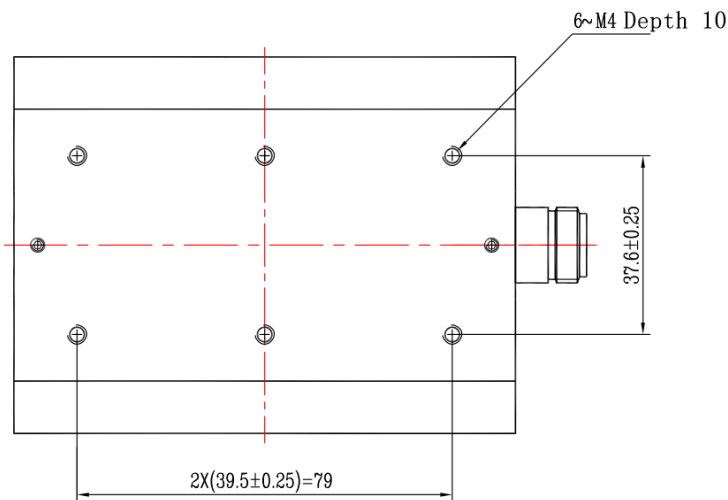
Mechanical

| | |
|-----------------------|------------------------------|
| Connector Body | Ternary alloy plated brass |
| Center Contact | Gold plated beryllium copper |
| Heat Sink | Black anodized aluminum |

Environmental

| | |
|-----------------------|----------------|
| Operating Temp | -55°C to 100°C |
| Storage Temp | -55°C to 125°C |
| RoHS | Compliant |

Dimensions(mm)



Notes

1. Customized outlines and optimal VSWR available.
2. To maintain best performance, recommended to use fan to keep the case temperature under 85°C.