

# Coaxial RF Termination

## RFT0605QN2

DC-6 GHz, QN Male, 5 Watts



Rev 3

### Electrical

<b>Impedance</b>	50 ohm
<b>Frequency Range</b>	DC-6 GHz
<b>VSWR</b>	1.2 max
<b>Input Avg Power</b>	5W@ 25°C ambient, derating linearly to 0.5W at 100°C
<b>Peak Power</b>	500W (5 micro-sec pulse width, 0.5% duty cycle)

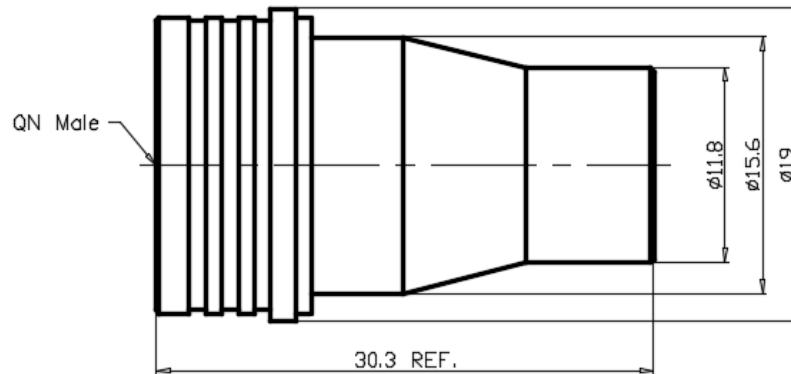
### Mechanical

<b>Connector Body</b>	Ternary alloy plated brass
<b>Center Contact</b>	Gold plated brass
<b>Heat Sink</b>	N/A

### Environmental

<b>Operating Temp</b>	-55°C to 100°C
<b>Storage Temp</b>	-55°C to 125°C
<b>RoHS</b>	Compliant

### Dimensions(mm)



### Notes

1. Customized outlines and optimal VSWR available.