



## Coaxial RF Termination

### RFT1805S2

DC-18 GHz, SMA Male, 5 Watts

Rev 3

#### Electrical

<b>Impedance</b>	50 ohm
<b>Frequency Range</b>	DC-18 GHz
<b>VSWR</b>	1.3 max
<b>Input Avg Power</b>	5W@ 25°C ambient, derating linearly to 0.5W at 100°C
<b>Peak Power</b>	500W (5 micro-sec pulse width, 0.5% duty cycle)

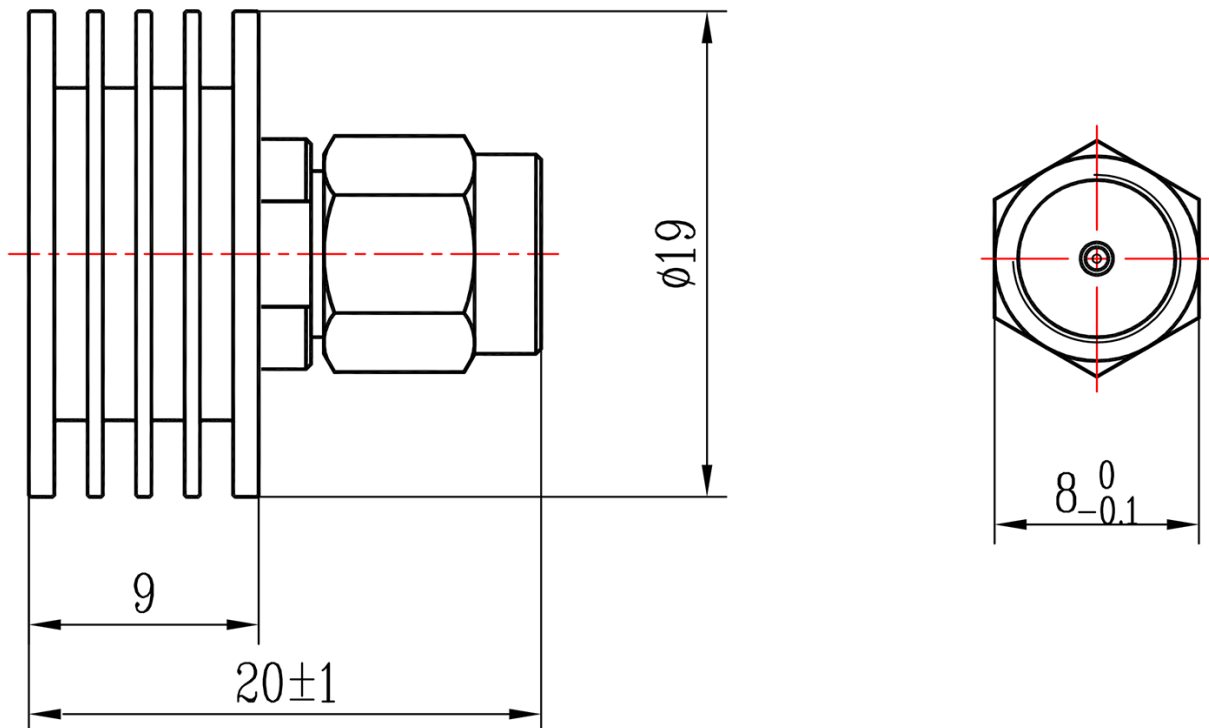
#### Mechanical

<b>Connector Body</b>	Passivated stainless steel
<b>Center Contact</b>	Gold plated brass
<b>Heat Sink</b>	Black anodized aluminum

#### Environmental

<b>Operating Temp</b>	-55°C to 100°C
<b>Storage Temp</b>	-55°C to 125°C
<b>RoHS</b>	Compliant

#### Dimensions(mm)



#### Notes

1. Customized outlines and optimal VSWR available.
2. To maintain best performance, recommended to use fan to keep the case temperature under 85°C.