

Coaxial RF Termination

RFT18150N1-S

DC-18 GHz, N Female, 150 Watts



Rev 1

Electrical

Impedance	50 ohm
Frequency Range	DC-18 GHz
VSWR	1.45 max
Input Avg Power	150W@ 25°C ambient, derating linearly to 15W at 100°C
Peak Power	5kW (5 micro-sec pulse width, 1% duty cycle)

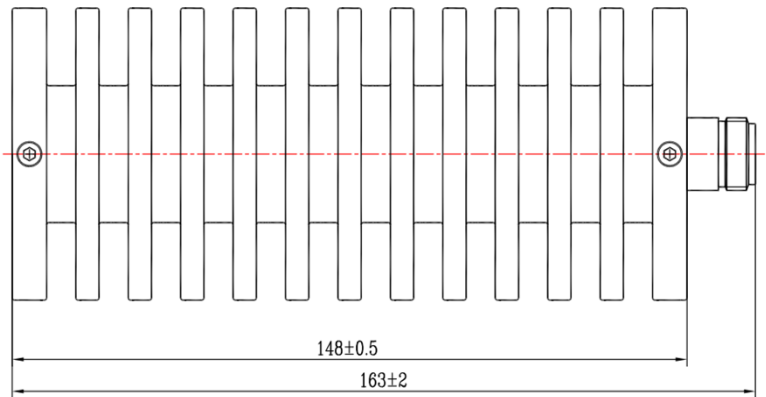
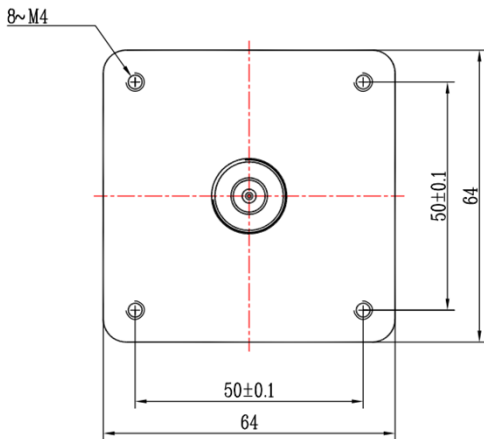
Mechanical

Connector Body	Passivated stainless steel
Center Contact	Gold plated beryllium copper
Heat Sink	Black anodized aluminum

Environmental

Operating Temp	-55°C to 100°C
Storage Temp	-55°C to 125°C
RoHS	Compliant

Dimensions(mm)



Notes

1. Customized outlines and optimal VSWR available.
2. To maintain best performance, recommended to use fan to keep the case temperature under 85°C.