

# Coaxial RF Termination

**RFT2710352A**

DC-27 GHz, 3.5mm Male, 10 Watts



Rev 1

## Electrical

<b>Impedance</b>	50 ohm
<b>Frequency Range</b>	DC-27 GHz
<b>VSWR</b>	1.25 max
<b>Input Avg Power</b>	10W@ 25°C ambient, derating linearly to 1W at 100°C
<b>Peak Power</b>	200W (5 micro-sec pulse width, 3% duty cycle)

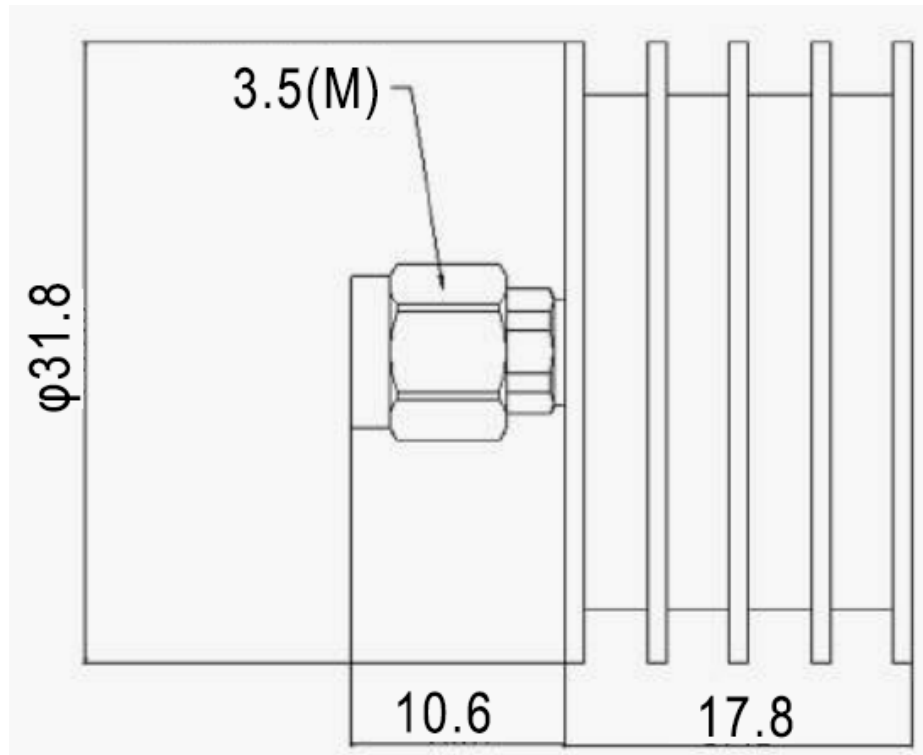
## Mechanical

<b>Connector Body</b>	Passivated stainless steel
<b>Center Contact</b>	Gold plated beryllium copper
<b>Heat Sink</b>	Black anodized aluminum

## Environmental

<b>Operating Temp</b>	-55°C to 100°C
<b>Storage Temp</b>	-55°C to 125°C
<b>RoHS</b>	Compliant

## Dimensions(mm)



## Notes

1. Customized outlines and optimal VSWR available.