



Electrical

Impedance	50 ohm
Frequency Range	DC-27 GHz
VSWR	1.3 max
Input Avg Power	2W@ 25°C ambient, derating linearly to 0.2W at 100°C
Peak Power	50W (5 micro-sec pulse width, 0.5% duty cycle)

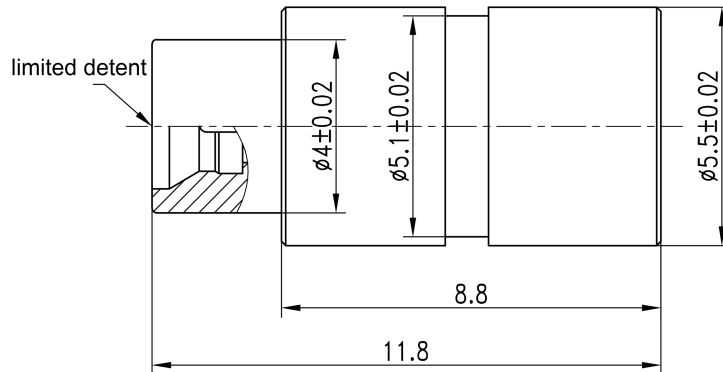
Mechanical

Connector Body	Gold plated brass
Center Contact	Gold plated beryllium copper
Weight	2g

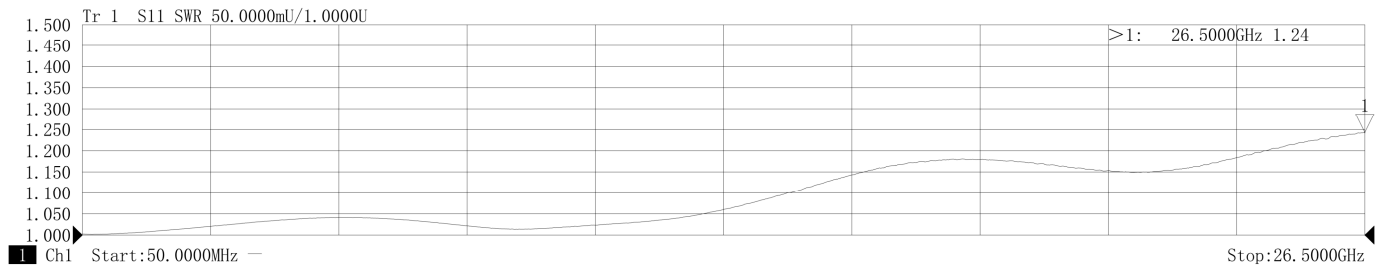
Environmental

Operating Temp	-55°C to 100°C
Storage Temp	-55°C to 125°C
RoHS	Compliant

Dimensions(mm)



Typical Test Data



Notes

- 1. Customized outlines and optimal VSWR available.