



### Electrical

|                        |   |
|------------------------|---|
| <b>Impedance</b>       | 50 ohm  |
| <b>Frequency Range</b> | DC-33 GHz   |
| <b>VSWR</b>            | 1.15 max  |
| <b>Input Avg Power</b> | 2W@25°C ambient, derating linearly to 0.5W at 100°C |
| <b>Peak Power</b>      | 200W (5 micro-sec pulse width, 1% duty cycle)       |

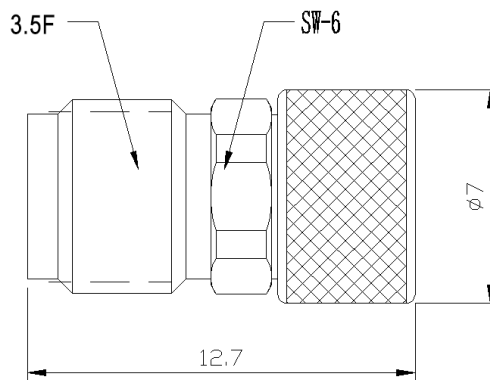
### Mechanical

|                       |                            |
|-----------------------|----------------------------|
| <b>Connector Body</b> | Passivated stainless steel |
| <b>Center Contact</b> | 1.27um gold plated BeCu    |
| <b>Weight</b>         | About 5g                   |

### Environmental

|                       |                |
|-----------------------|----------------|
| <b>Operating Temp</b> | -55°C to 100°C |
| <b>Storage Temp</b>   | -55°C to 125°C |
| <b>RoHS</b>           | Compliant      |

### Dimensions(mm)



### Typical Test Data

