



Electrical

Impedance	50 ohm
Frequency Range	DC-40 GHz
VSWR	1.35 max
Input Avg Power	20W@25°C ambient, derating linearly to 2W at 100°C
Peak Power	200W (5 micro-sec pulse width, 5% duty cycle)

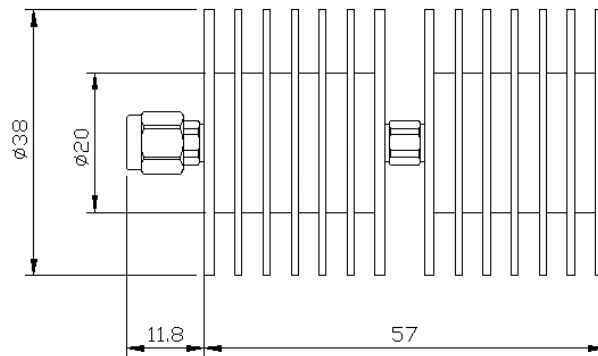
Mechanical

Connector Body	Passivated stainless steel
Center Contact	1.27um gold plated brass
Heat Sink	Black anodized aluminum

Environmental

Operating Temp	-55°C to 100°C
Storage Temp	-55°C to 125°C
RoHS	Compliant

Dimensions(mm)



Typical Test Data

