



**20 dBi Gain, 73.8-110 GHz, WR10 Standard Gain Horn with UG387/U-Mod Flange**

Rev 2

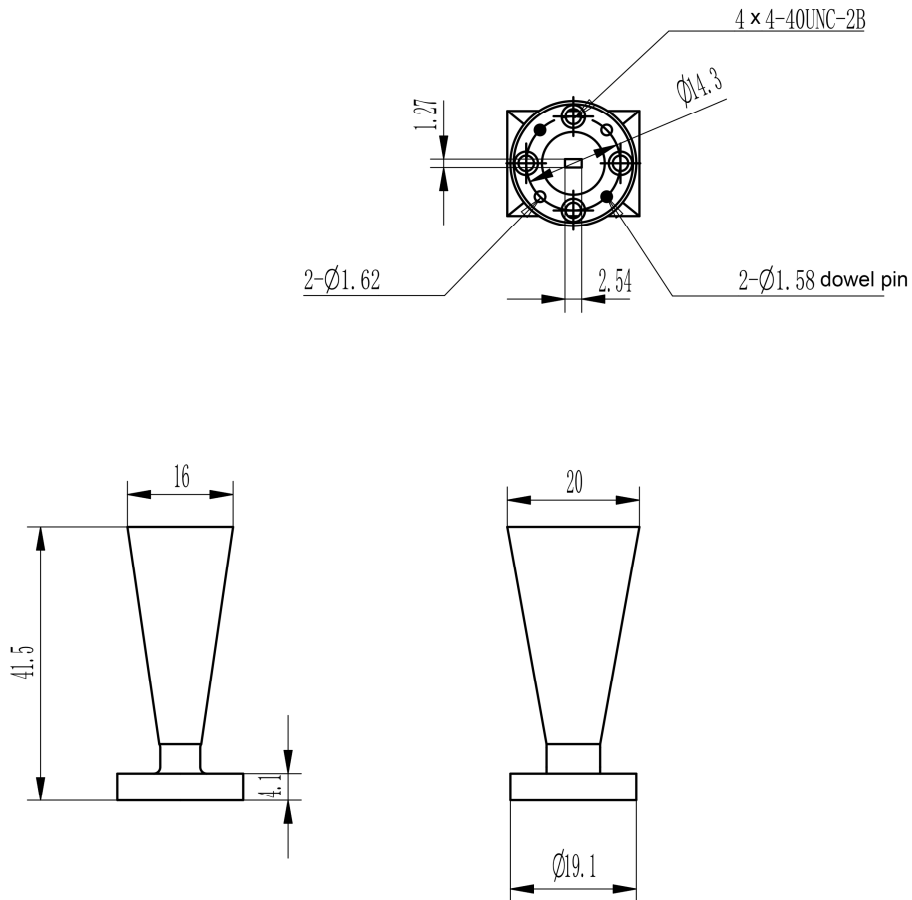
**Electrical**

Frequency Range	73.8-110 GHz
Norminal Gain	20 dBi
Polarization	Linear
VSWR	1.2 max
3dB Beamwidth	E-Plane: 12.1~17.3 deg, H-Plane: 11.8~17.5 deg
Operating Temperature	-40°C~+70°C

**Mechanical**

Waveguide Size	WR10
Flange Type	UG387/U-Mod Round Cover Flange
Body Material and Finish	Copper, painting over gold plating

**Dimensions(mm)**



# Simulated Antenna Patterns

