



10 dBi Gain, 5.38-8.17 GHz, WR137 Standard Gain Horn with SMA Female Port

Rev 1

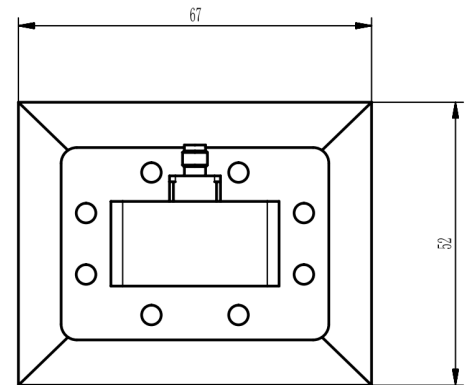
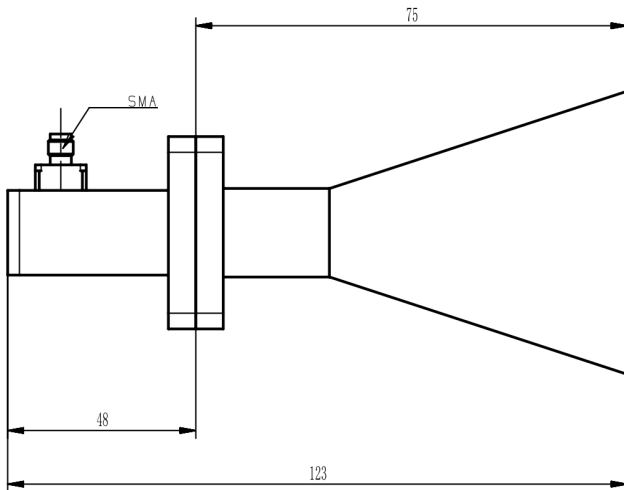
Electrical

Frequency Range	5.38-8.17 GHz
Norminal Gain	10 dBi
Polarization	Linear
VSWR	1.4 max
Operating Temperature	-40°C~+70°C

Mechanical

Waveguide Size	WR137
Flange Type	UDR70 Rectangular Cover Flange
Body Material and Finish	Aluminum, Painted
RF Connector	SMA Female
Net Weight	Approx 250g

Dimensions(mm)



10 dBi Gain, 5.38-8.17 GHz, WR137 Standard Gain Horn with SMA Female Port



Rev 1

Typical VSWR

