

## 15 dBi Gain, 4.64-7.05 GHz, WR159 Standard Gain Horn with SMA Female Port



Rev 2

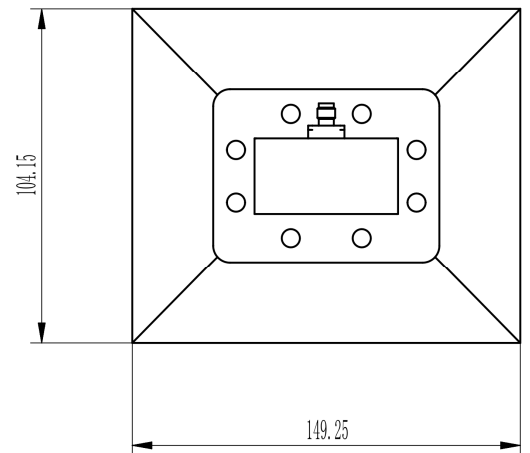
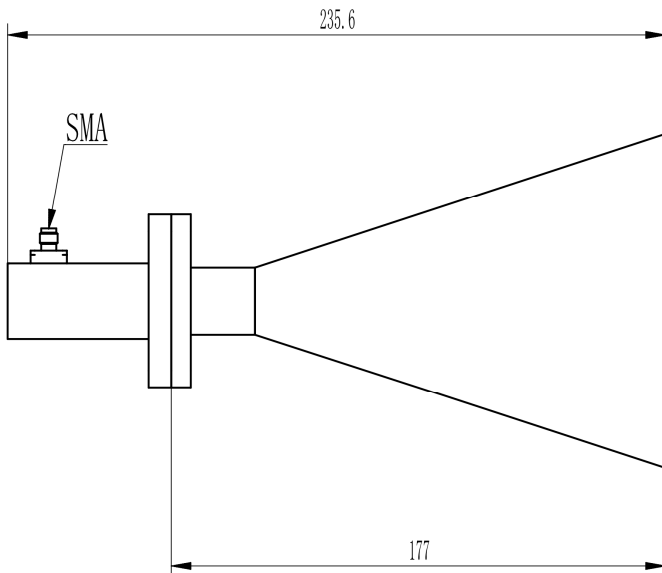
### Electrical

Frequency Range	4.64-7.05 GHz
Norminal Gain	15 dBi
Polarization	Linear
VSWR	1.3 max
Operating Temperature	-40°C~+70°C

### Mechanical

Waveguide Size	WR159
Flange Type	UDR58 Rectangular Cover Flange
Body Material and Finish	Aluminum, Painted
RF Connector	SMA Female
Net Weight	Approx 650g

### Dimensions(mm)



## 15 dBi Gain, 4.64-7.05 GHz, WR159 Standard Gain Horn with SMA Female Port



Rev 2

### Typical VSWR

