

## 20 dBi Gain, 4.64-7.05 GHz, WR159 Standard Gain Horn with SMA Female Port

Rev 1

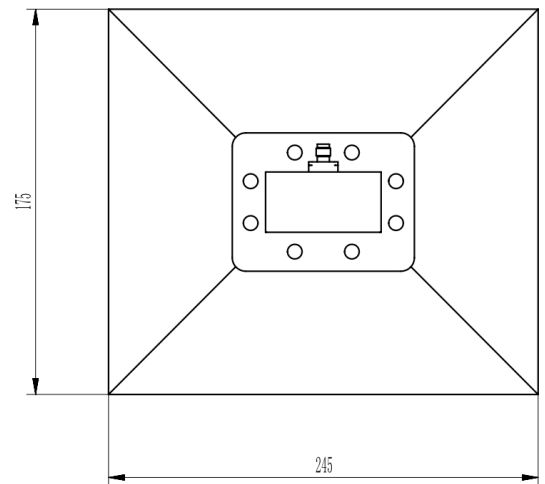
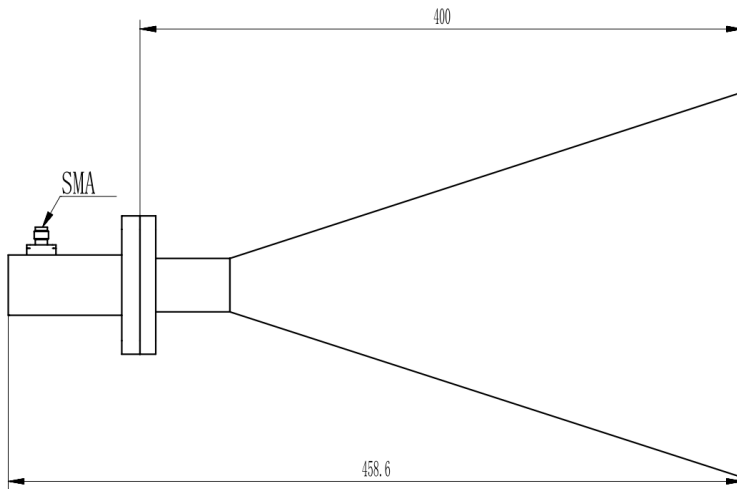
### Electrical

Frequency Range	4.64-7.05 GHz
Norminal Gain	20 dBi
Polarization	Linear
VSWR	1.3 max
Operating Temperature	-40°C~+70°C

### Mechanical

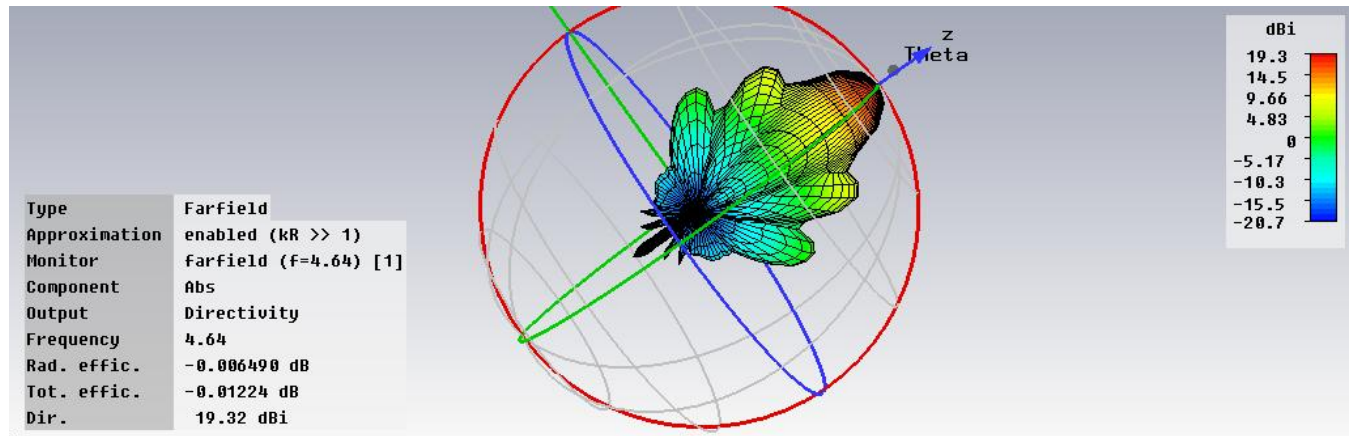
Waveguide Size	WR159
Flange Type	UDR58 Rectangular Cover Flange
Body Material and Finish	Aluminum, Painted
RF Connector	SMA Female

### Dimensions(mm)

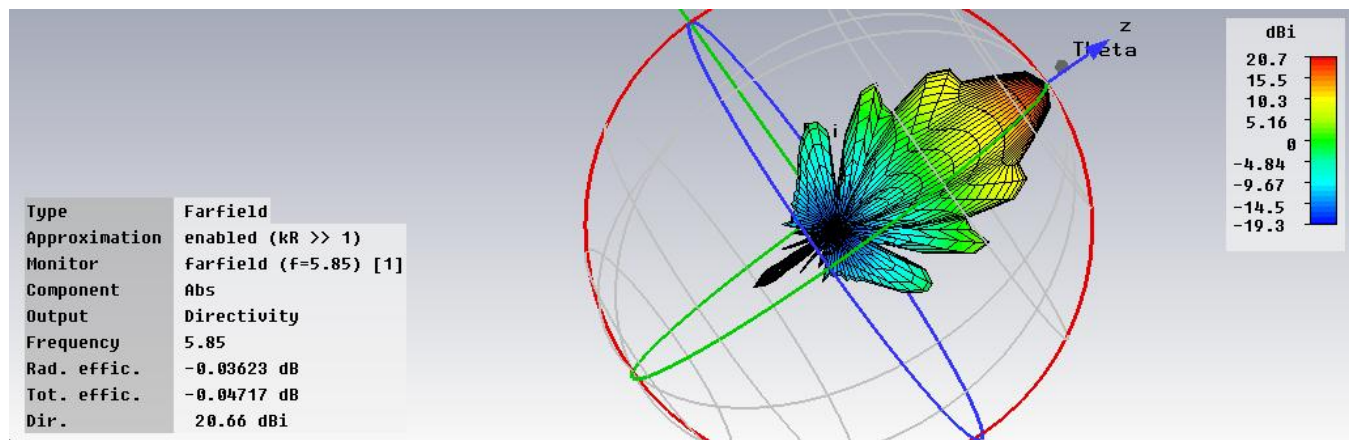


# Gain

4.64GHz



5.85GHz



7.05GHz

