

10 dBi Gain, 3.94-5.99 GHz, WR187 Standard Gain Horn with SMA Female Port

Rev 1

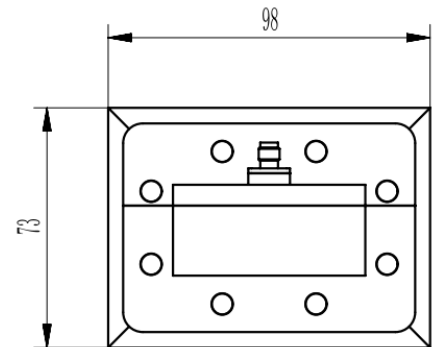
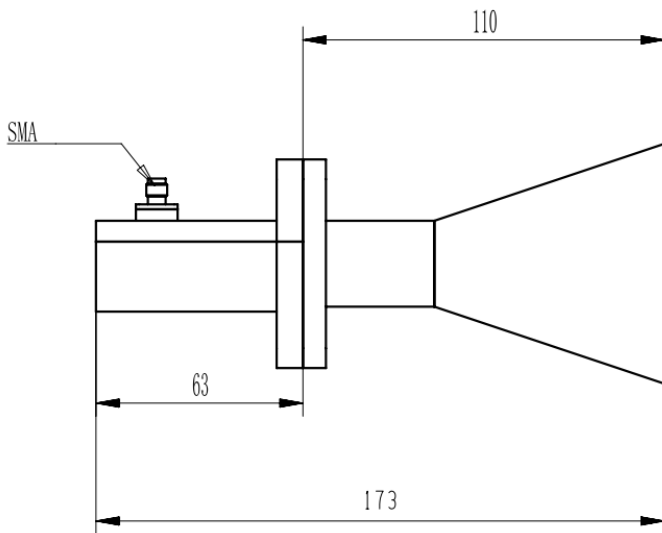
Electrical

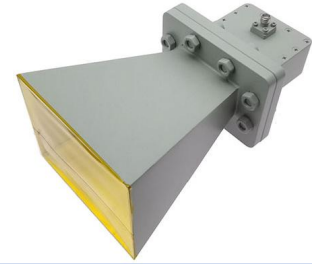
Frequency Range	3.94-5.99 GHz
Norminal Gain	10 dBi
Polarization	Linear
VSWR	1.4 max
Operating Temperature	-40°C~+70°C

Mechanical

Waveguide Size	WR187
Flange Type	UDR48 Rectangular Cover Flange
Body Material and Finish	Aluminum, Painted
RF Connector	SMA Female
Net Weight	Approx 480g

Dimensions(mm)





10 dBi Gain, 3.94-5.99 GHz, WR187 Standard Gain Horn with SMA Female Port

Rev 1

Typical Test Data

