



15 dBi Gain, 26.3-40 GHz, WR28 Standard Gain Horn with 2.92mm Female Port

Rev 1

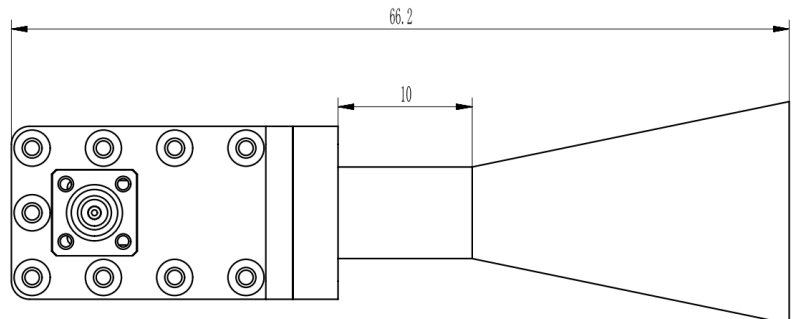
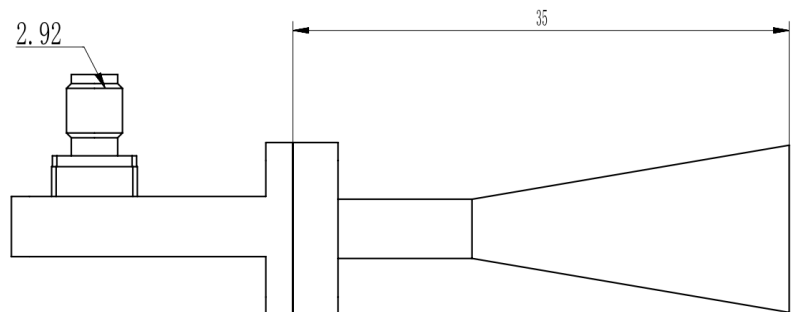
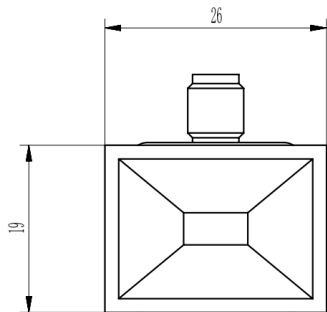
Electrical

Frequency Range	26.3-40 GHz
Norminal Gain	15 dBi
Polarization	Linear
VSWR	1.3 max
Operating Temperature	-40°C~+70°C

Mechanical

Waveguide Size	WR28
Flange Type	UBR320 Square Cover Flange
Body Material and Finish	Copper, Painted
RF Connector	2.92mm Female
Net Weight	Approx 65g

Dimensions(mm)





15 dBi Gain, 26.3-40 GHz, WR28 Standard Gain Horn with 2.92mm Female Port

Rev 1

Typical Test Data

