

15 dBi Gain, 21.7-33 GHz, WR34 Standard Gain Horn with UBR260 Flange

Rev 1

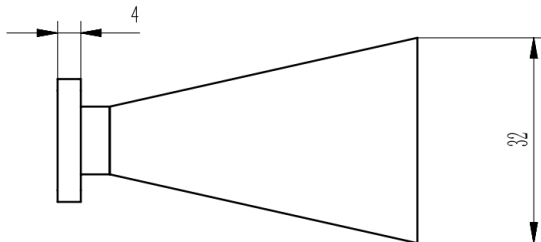
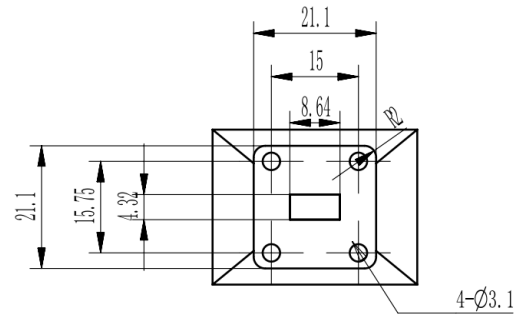
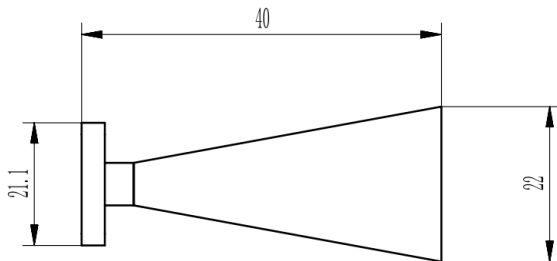
Electrical

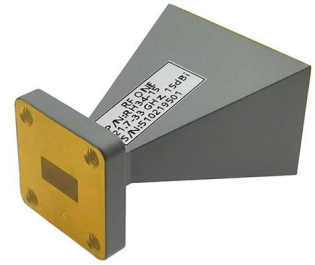
Frequency Range	21.7-33 GHz
Norminal Gain	15 dBi
Polarization	Linear
VSWR	1.2 max
Operating Temperature	-40°C~+70°C

Mechanical

Waveguide Size	WR34
Flange Type	UBR260 Square Cover Flange
Body Material and Finish	Copper, Painted

Dimensions(mm)





15 dBi Gain, 21.7-33 GHz, WR34 Standard Gain Horn with UBR260 Flange

Rev 1

Typical Test Data

