



15 dBi Gain, 21.7-33 GHz, WR34 Standard Gain Horn with 2.92mm Female Port

Rev 1

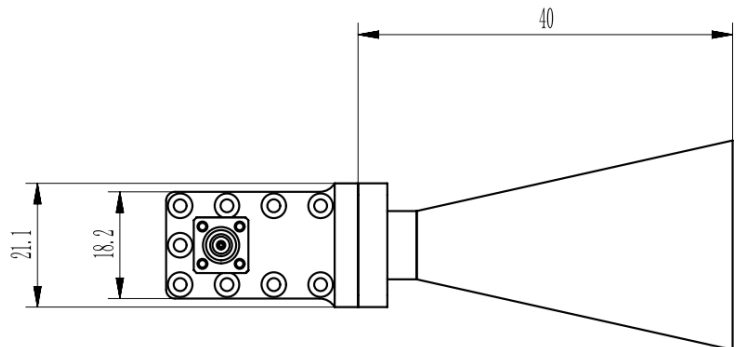
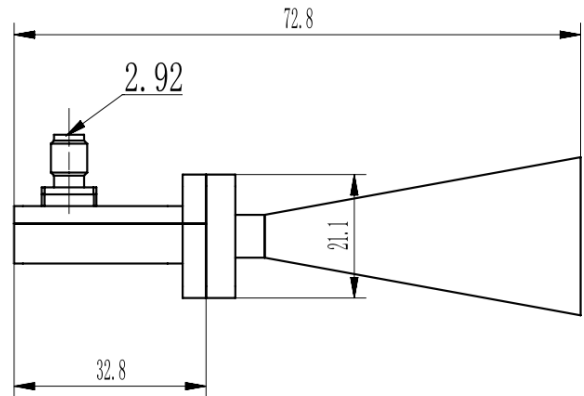
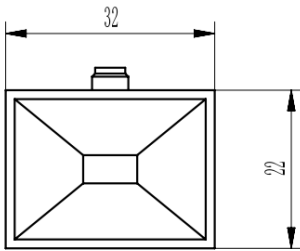
Electrical

Frequency Range	21.7-33 GHz
Norminal Gain	15 dBi
Polarization	Linear
VSWR	1.3 max
Operating Temperature	-40°C~+70°C

Mechanical

Waveguide Size	WR34
Flange Type	UBR260 Square Cover Flange
Body Material and Finish	Copper, Painted
RF Connector	2.92mm Female
Net Weight	Approx 90g

Dimensions(mm)





15 dBi Gain, 21.7-33 GHz, WR34 Standard Gain Horn with 2.92mm Female Port

Rev 1

Typical VSWR

