

**20 dBi Gain, 14.5-22 GHz, WR51 Standard Gain Horn with SMA Female Port**



Rev 1

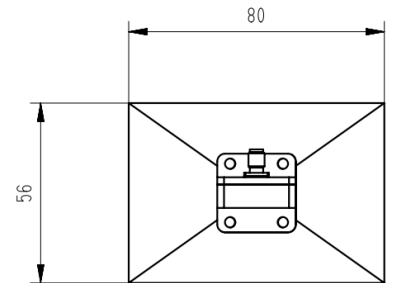
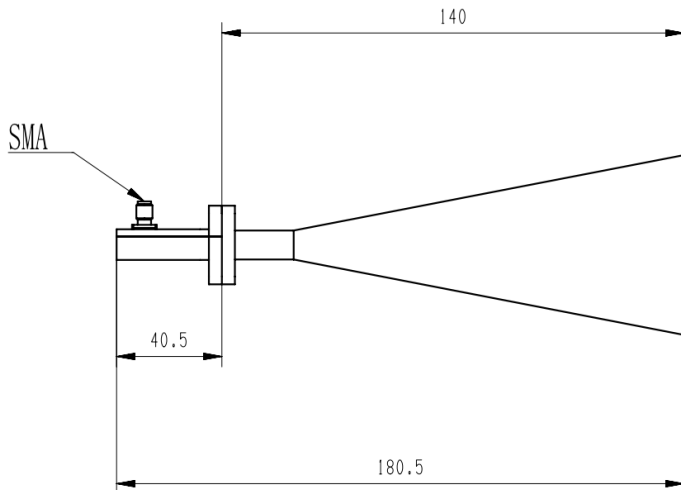
**Electrical**

Frequency Range	14.5-22 GHz
Norminal Gain	20 dBi
Polarization	Linear
VSWR	1.3 max
Operating Temperature	-40°C~+70°C

**Mechanical**

Waveguide Size	WR51
Flange Type	UBR180 Square Cover Flange
Body Material and Finish	Copper, Painted
RF Connector	SMA Female
Net Weight	150g

**Dimensions(mm)**



# Typical Test Data

