



**25 dBi Gain, 8.2-12.5 GHz, WR90 Standard Gain Horn with SMA Female Port**

Rev 2

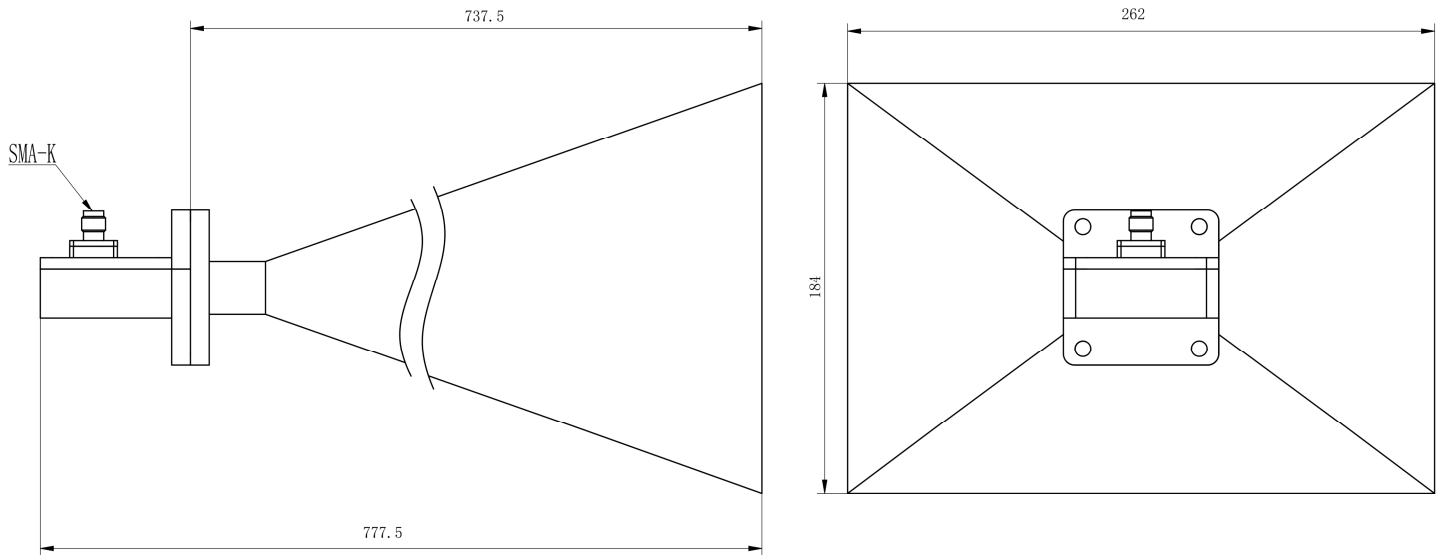
**Electrical**

Frequency Range	8.2-12.5 GHz
Norminal Gain	25 dBi
Polarization	Linear
VSWR	1.3 max
Operating Temperature	-40°C~+70°C

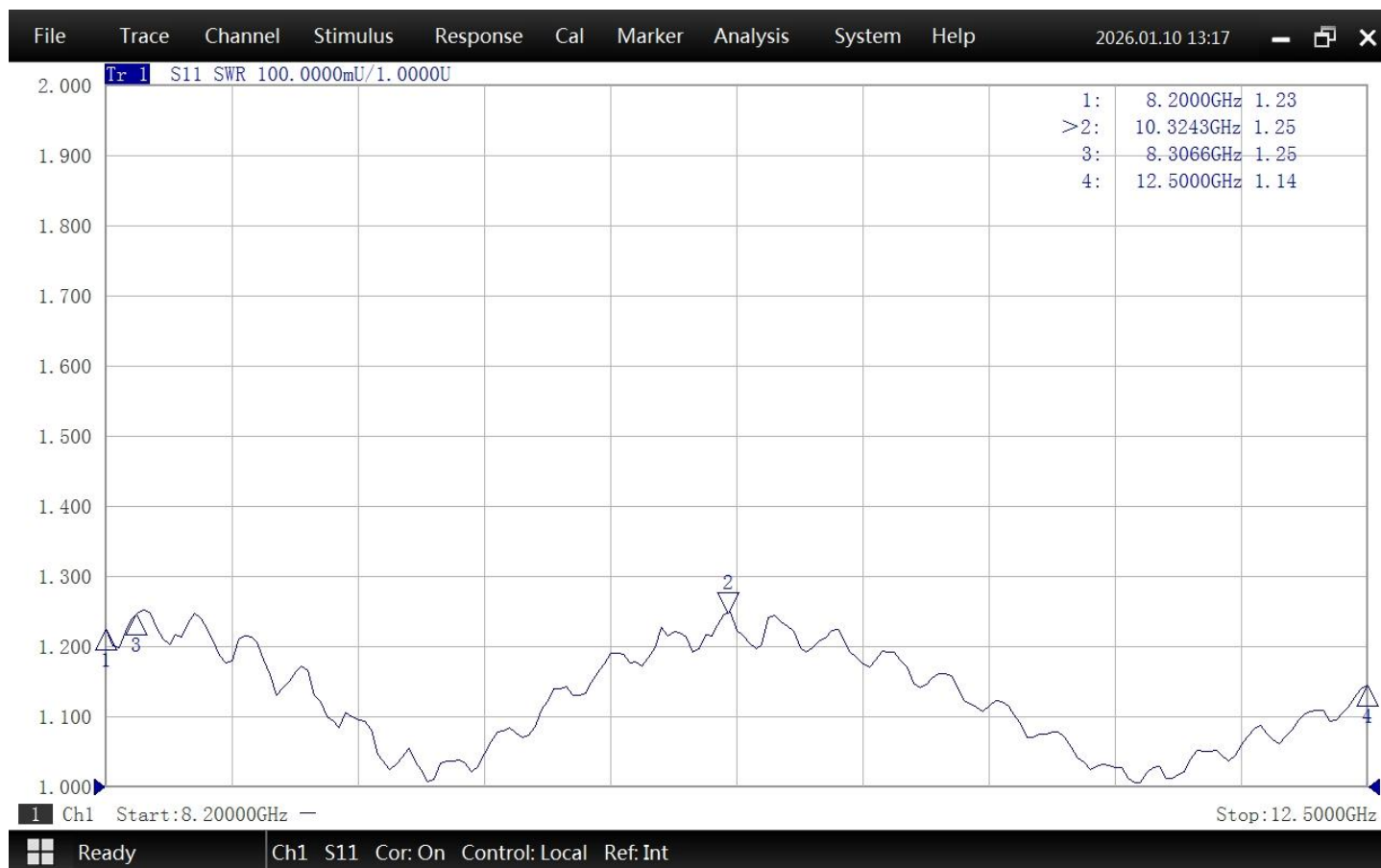
**Mechanical**

Waveguide Size	WR90
Flange Type	UBR100 Square Cover Flange
Body Material and Finish	Aluminum, Painted
RF Connector	SMA Female
Net Weight	Approx 2kg

**Dimensions(mm)**

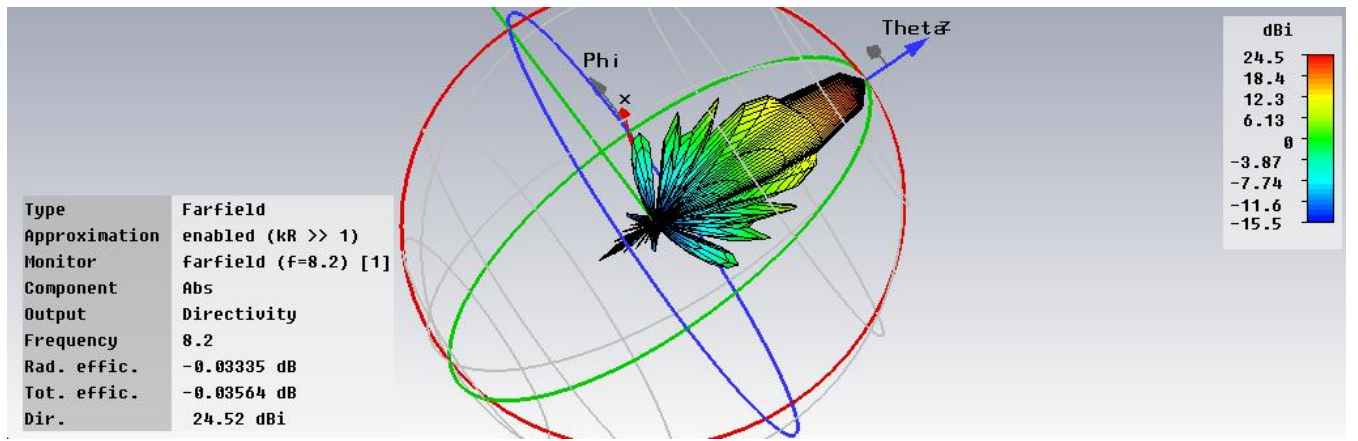


# Typical Test Data

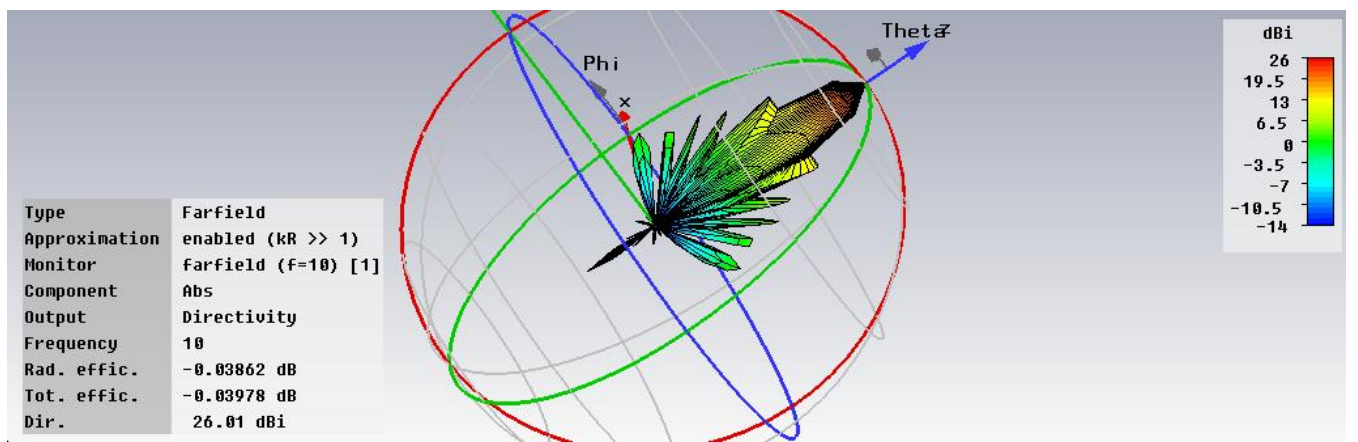


# Gain

8.2GHz



10GHz



12.4GHz

