



2.92mm Male to 2.92mm Female Adjustable Phase Trimmer, DC-40 GHz

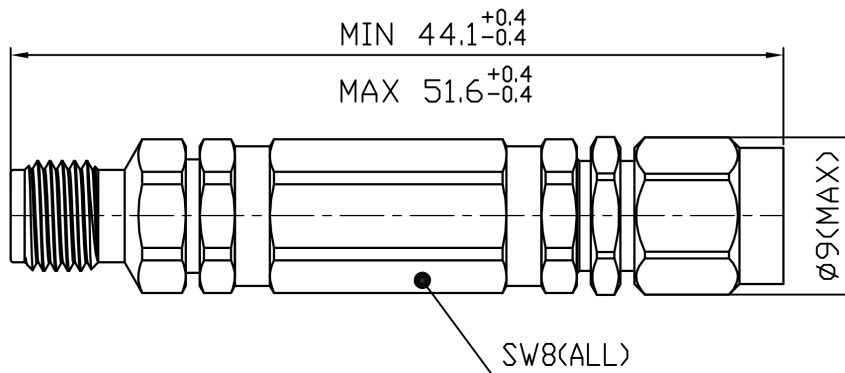
Electrical

Impedance	50 ohm
Frequency Range	DC-40 GHz
VSWR	≤1.4
Insertion Loss	≤0.8 dB
Phase Adjustment Max	9°/GHz (360°@40GHz)
Nominal Phase Shift	0.6°/GHz/Turn

Mechanical & Environmental

RF Connectors	2.92mm Male	2.92mm Female
Body Material	Passivated stainless steel	
Center Contact	Gold plated beryllium copper	
Insulator	PEI&PTFE	
Operating Temp	-55°C to +165°C	
Net Weight	Approx 15g	

Dimensions(mm)





2.92mm Male to 2.92mm Female Adjustable Phase Trimmer, DC-40 GHz

Typical Test Data

