

SP10T Electromechanical Switch
Normally Open, DC to 18 GHz, SMA, 15 Pin D-Sub
Electrical

Switch Type	Reflective			
Actuator Type	Normally Open			
Switching Sequence	Break before make			
Switching Time	15 ms max			
Impedance	50 Ohms			
Frequency Range	DC-18 GHz			
*Nominal Actuating Voltage, Vdc	12 (11 to 13)	18 (16 to 20)	24 (22 to 26)	28 (26 to 30)
Actuating Current, mA	260	160	140	100



Frequency (GHz)	DC-6	6-12	12-18
VSWR (max)	1.3	1.4	1.6
Insertion Loss dB (max)	0.30	0.40	0.60
Isolation dB (min)	65	60	55

Environmental & Mechanical

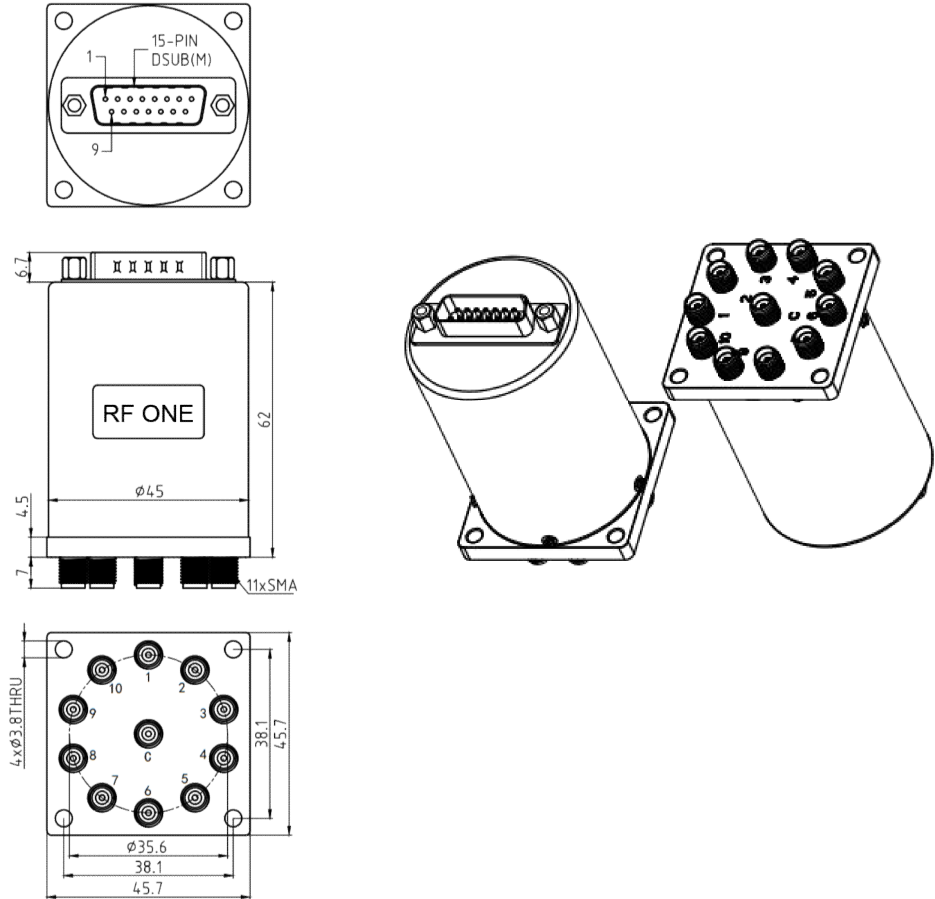
Operating Temperature	-25°C~+65°C
Storage Temperature	-55°C~+85°C
Shock (Designed to meet)	MIL-STD-202 Method 213, Condition D, 500G (Non Operating)
Vibration (Designed to meet)	MIL-STD-202 Method 214, Condition D, 10G RMS (Non Operating)
Operating Life	2 Million Cycles Minimum
RF Connector	SMA Female
Actuator Terminals	15 Pin D-Sub Male
Weight	225g max

Notes

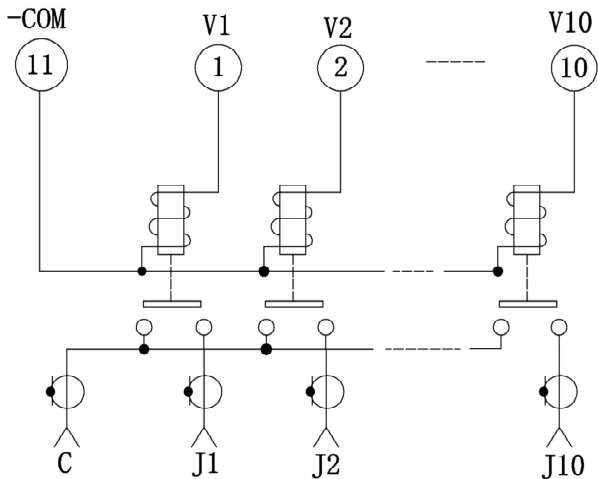
*For model RS10-S18NXX-D, replace the XX with the desired Actuator Voltage. Example: RS10-S18N12-D for 12 Volts.

SP10T Electromechanical Switch
Normally Open, DC to 18 GHz, SMA, 15 Pin D-Sub

Drawing (unit: mm, tolerance +/-0.5mm)



Schematic



15 Pin D-Sub

Pin No.	Function	Pin No.	Function
1	DC INPUT 1	9	DC INPUT 9
2	DC INPUT 2	10	DC INPUT 10
3	DC INPUT 3	11	-COM
4	DC INPUT 4	12	N/A
5	DC INPUT 5	13	N/A
6	DC INPUT 6	14	N/A
7	DC INPUT 7	15	N/A
8	DC INPUT 8		