

**SPDT Electromechanical Switch, Failsafe, DC to 50 GHz, 2.4mm, TTL, Solder Pins**
**Electrical**

Switch Type	SPDT, Reflective			
Actuator Type	Failsafe			
Switching Sequence	Break before make			
Switching Time	15 ms max			
Impedance	50 Ohms			
Frequency Range	DC-50 GHz			
*Nominal Actuating Voltage, Vdc	12 (11 to 13)	18 (16 to 20)	24 (22 to 26)	28 (26 to 30)
Actuating Current, mA	190	136	98	83
TTL Control	On: 2.4 to 5 Volts, Off: 0 to 0.8 Volts			



Frequency (GHz)	DC-6	6-12	12-18	18-26.5	26.5-32	32-50
VSWR (max)	1.2	1.3	1.4	1.7	1.9	2.0
Insertion Loss dB (max)	0.20	0.30	0.40	0.70	0.80	1.00
Isolation dB (min)	70	70	70	70	60	50

**Environmental & Mechanical**

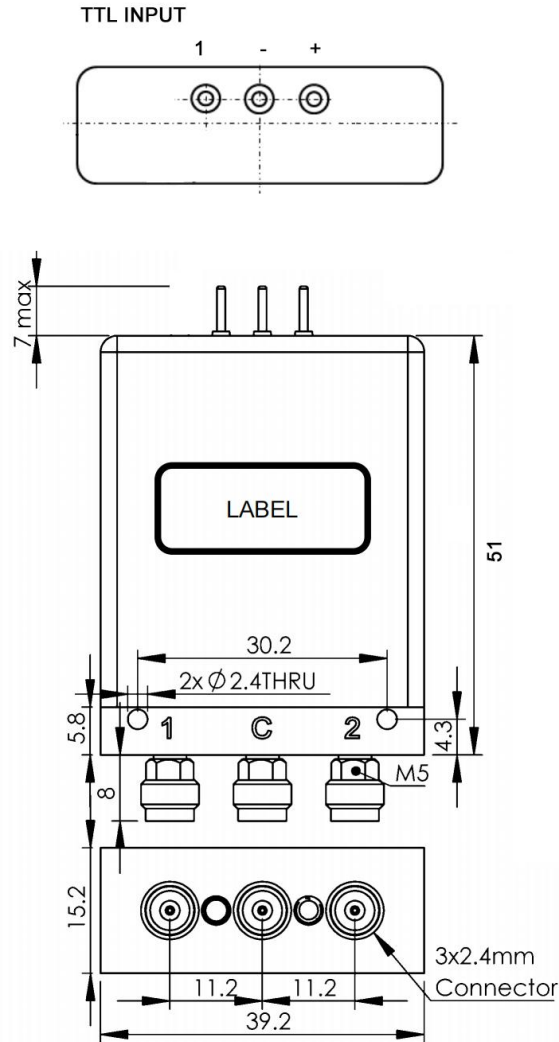
Operating Temperature	-25°C~+65°C
Storage Temperature	-55°C~+85°C
Shock (Designed to meet)	MIL-STD-202 Method 213, Condition D, 500G (Non Operating)
Vibration (Designed to meet)	MIL-STD-202 Method 214, Condition D, 10G RMS (Non Operating)
Operating Life	3 Million Cycles Minimum
RF Connector	2.4mm Female
Actuator Terminals	Solder pins
Weight	70g max

**Notes**

\*For model RS2-Q50FXX-T, replace the XX with the desired Actuator Voltage. Example: RS2-Q50F12-T for 12 Volts.

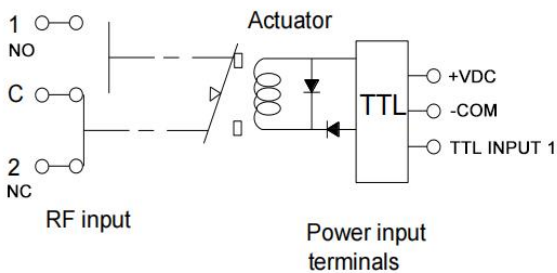
**SPDT Electromechanical Switch, Failsafe, DC to 50 GHz, 2.4mm, TTL, Solder Pins**

**Drawing** (unit: mm, tolerance +/-0.5mm)



**Schematic**

Position De-energized



TTL Input	RF Path
Off	C -- 2
On	C -- 1