

SPDT Electromechanical Switch, Failsafe, DC to 67 GHz, 1.85mm, TTL, Indicators, Solder Pins
Electrical

| | | | | |
|---------------------------------|---|------------------|------------------|------------------|
| Switch Type | SPDT, Reflective | | | |
| Actuator Type | Failsafe | | | |
| Switching Sequence | Break before make | | | |
| Switching Time | 15 ms max | | | |
| Impedance | 50 Ohms | | | |
| Frequency Range | DC-67 GHz | | | |
| *Nominal Actuating Voltage, Vdc | 12 (11 to 13) | 18 (16 to 20) | 24 (22 to 26) | 28 (26 to 30) |
| Actuating Current, mA | 190 | 136 | 98 | 83 |
| TTL Control | On: 2.4 to 5 Volts, Off: 0 to 0.8 Volts | | | |
| Indicator Rating | 1 Watts / 50 Volts / 100 mA | | | |



| Frequency (GHz) | DC-18 | 18-26.5 | 26.5-32 | 32-50 | 50-67 |
|-------------------------|-------|---------|---------|-------|-------|
| VSWR (max) | 1.4 | 1.7 | 1.9 | 2.0 | 2.2 |
| Insertion Loss dB (max) | 0.40 | 0.70 | 0.80 | 1.00 | 1.20 |
| Isolation dB (min) | 60 | 55 | 50 | 50 | 50 |

Environmental & Mechanical

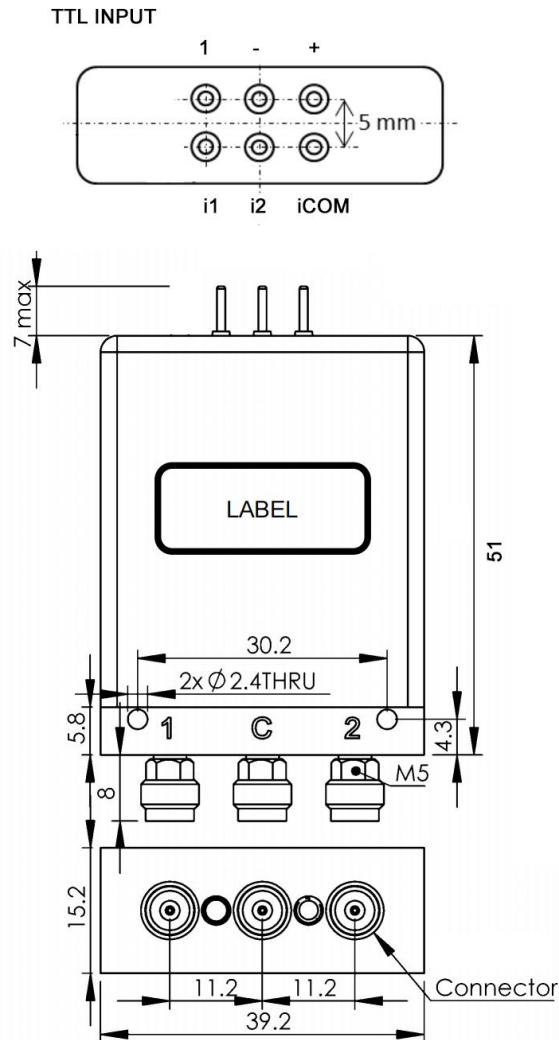
| | |
|------------------------------|--|
| Operating Temperature | -25°C~+65°C |
| Storage Temperature | -55°C~+85°C |
| Shock (Designed to meet) | MIL-STD-202 Method 213, Condition D, 500G (Non Operating) |
| Vibration (Designed to meet) | MIL-STD-202 Method 214, Condition D, 10G RMS (Non Operating) |
| Operating Life | 3 Million Cycles Minimum |
| RF Connector | 1.85mm Female |
| Actuator Terminals | Solder pins |
| Weight | 70g max |

Notes

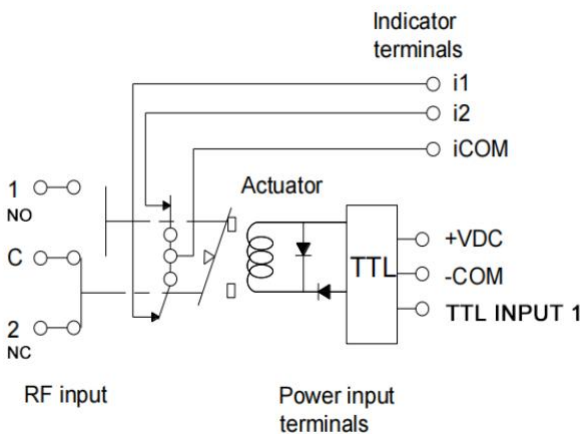
*For model RS2-V67FXX-TI, replace the XX with the desired Actuator Voltage. Example: RS2-V67F12-TI for 12 Volts.

SPDT Electromechanical Switch, Failsafe, DC to 67 GHz, 1.85mm, TTL, Indicators, Solder Pins

Drawing (unit: mm, tolerance +/-0.5mm)



Schematic



| TTL Input | RF Path | Indicator |
|-----------|---------|------------|
| Off | C -- 2 | iCOM -- i2 |
| On | C -- 1 | iCOM -- i1 |