

**SPDT Electromechanical Switch, Latching, DC to 67 GHz, 1.85mm, Solder Pins**
**Electrical**

Switch Type	SPDT, Reflective			
Actuator Type	Latching			
Switching Sequence	Break before make			
Switching Time	15 ms max			
Impedance	50 Ohms			
Frequency Range	DC-67 GHz			
*Nominal Actuating Voltage, Vdc	12 (11 to 13)	18 (16 to 20)	24 (22 to 26)	28 (26 to 30)
Actuating Current, mA	200	119	90	115



Frequency (GHz)	DC-18	18-26.5	26.5-32	32-50	50-67
VSWR (max)	1.4	1.7	1.9	2.0	2.2
Insertion Loss dB (max)	0.40	0.70	0.80	1.00	1.20
Isolation dB (min)	60	55	50	50	50

**Environmental & Mechanical**

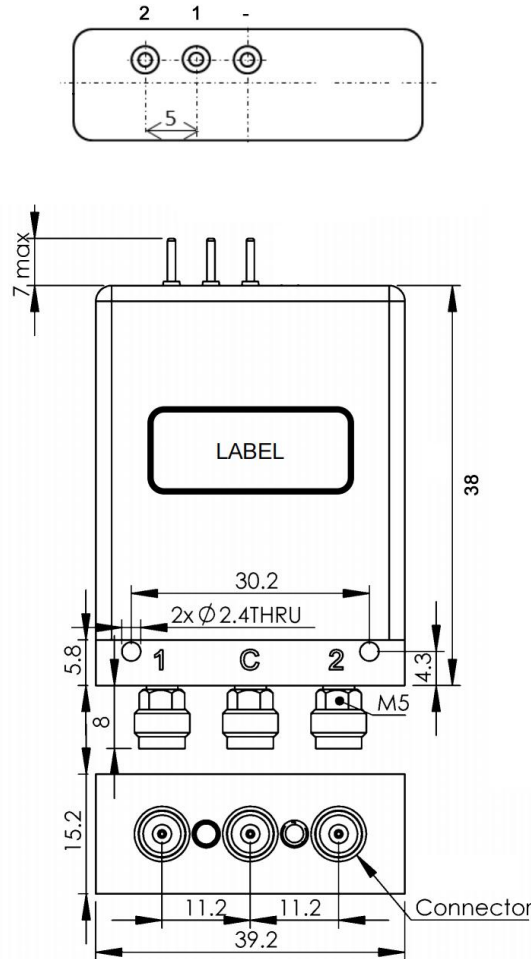
Operating Temperature	-25°C~+65°C
Storage Temperature	-55°C~+85°C
Shock (Designed to meet)	MIL-STD-202 Method 213, Condition D, 500G (Non Operating)
Vibration (Designed to meet)	MIL-STD-202 Method 214, Condition D, 10G RMS (Non Operating)
Operating Life	3 Million Cycles Minimum
RF Connector	1.85mm Female
Actuator Terminals	Solder pins
Weight	70g max

**Notes**

\*For model RS2-V67LXX, replace the XX with the desired Actuator Voltage. Example: RS2-V67L12 for 12 Volts.

**SPDT Electromechanical Switch, Latching, DC to 67 GHz, 1.85mm, Solder Pins**

**Drawing** (unit: mm, tolerance +/-0.5mm)



**Schematic**

