



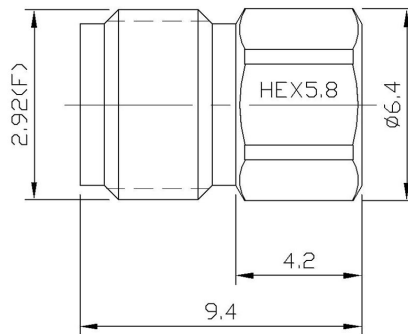
Electrical

Frequency Range	DC-40 GHz
Return Loss	0±0.36dB

Mechanical & Environmental

Body	Passivated stainless steel
Center Contact	1.27um gold plated BeCu
Net Weight	About 2.5g
Operating Temperature	-55°C~+100°C
RoHS	Compliant

Dimensions(mm)



Typical Test Data

