

SPDT Electromechanical Switch, Terminated, Failsafe, DC to 40 GHz, 2.92mm, Solder Pins
Electrical

| | | | | |
|---------------------------------|-------------------|------------------|------------------|------------------|
| Switch Type | SPDT, Terminated | | | |
| Actuator Type | Failsafe | | | |
| Switching Sequence | Break before make | | | |
| Switching Time | 15 ms max | | | |
| Impedance | 50 Ohms | | | |
| Frequency Range | DC-40 GHz | | | |
| *Nominal Actuating Voltage, Vdc | 12 (11 to 13) | 18 (16 to 20) | 24 (22 to 26) | 28 (26 to 30) |
| Actuating Current, mA | 380 | 280 | 200 | 170 |



| | | | | | | |
|-------------------------|------|------|-------|---------|---------|-------|
| Frequency (GHz) | DC-6 | 6-12 | 12-18 | 18-26.5 | 26.5-32 | 32-40 |
| VSWR (max) | 1.2 | 1.3 | 1.4 | 1.7 | 1.9 | 2.0 |
| Insertion Loss dB (max) | 0.20 | 0.30 | 0.40 | 0.70 | 0.80 | 1.30 |
| Isolation dB (min) | 70 | 70 | 60 | 55 | 50 | 50 |

Environmental & Mechanical

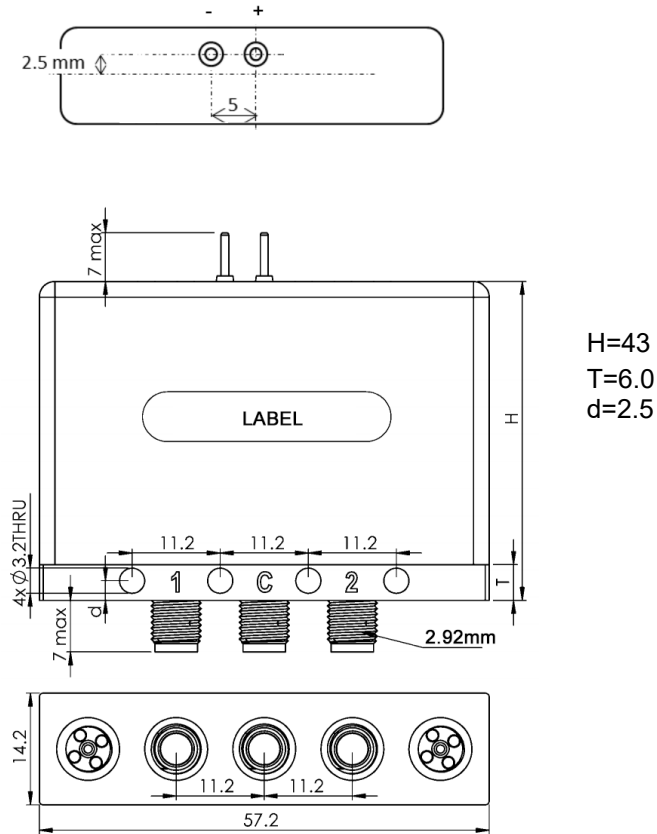
| | |
|------------------------------|--|
| Operating Temperature | -25°C ~ +65°C |
| Storage Temperature | -55°C ~ +85°C |
| Shock (Designed to meet) | MIL-STD-202 Method 213, Condition D, 500G (Non Operating) |
| Vibration (Designed to meet) | MIL-STD-202 Method 214, Condition D, 10G RMS (Non Operating) |
| Operating Life | 3 Million Cycles Minimum |
| RF Connector | 2.92mm Female |
| Actuator Terminals | Solder pins |
| Weight | 90g max |

Notes

*For model RS2T-K40FXX, replace the XX with the desired Actuator Voltage. Example: RS2T-K40F12 for 12 Volts.

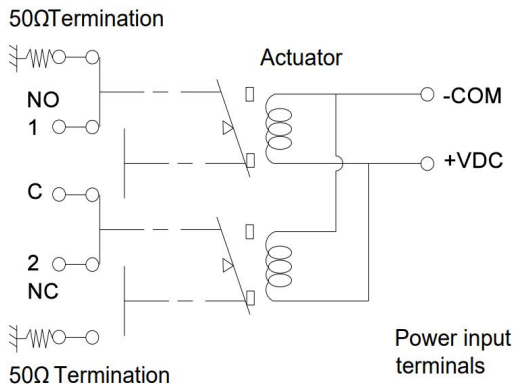
SPDT Electromechanical Switch, Terminated, Failsafe, DC to 40 GHz, 2.92mm, Solder Pins

Drawing (unit: mm, tolerance +/-0.5mm)



Schematic

Position: De-energized



| Voltage | RF Path |
|--------------|---------|
| De-energized | C -- 2 |
| Energized | C -- 1 |