

**SPDT Electromechanical Switch, Terminated, Failsafe, DC to 18 GHz, SMA, Solder Pins**
**Electrical**

Switch Type	SPDT, Terminated			
Actuator Type	Failsafe			
Switching Sequence	Break before make			
Switching Time	15 ms max			
Impedance	50 Ohms			
Frequency Range	DC-18 GHz			
*Nominal Actuating Voltage, Vdc	12 (11 to 13)	18 (16 to 20)	24 (22 to 26)	28 (26 to 30)
Actuating Current, mA	380	280	200	170



Frequency (GHz)	DC-6	6-12	12-18
VSWR (max)	1.2	1.3	1.4
Insertion Loss dB (max)	0.20	0.30	0.40
Isolation dB (min)	70	70	60

**Environmental & Mechanical**

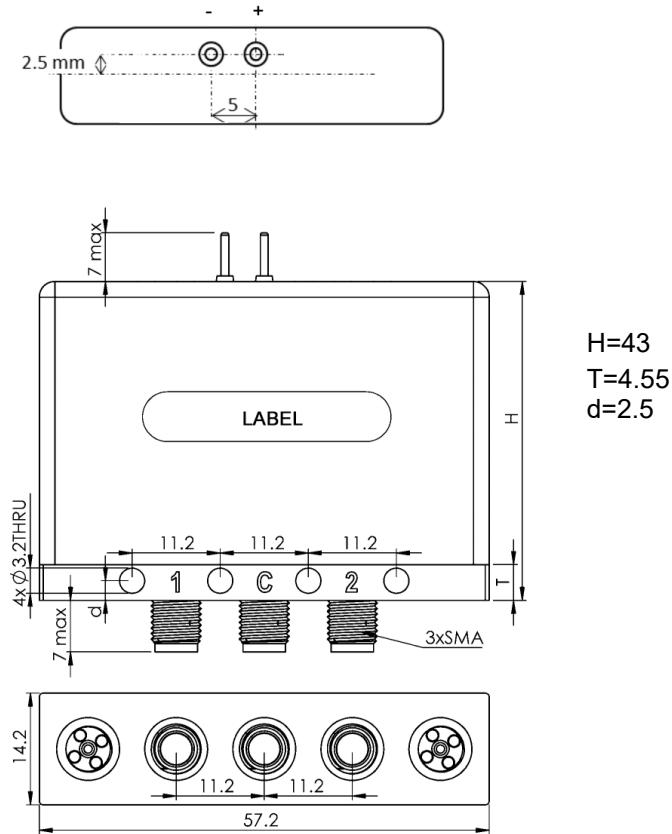
Operating Temperature	-25°C ~ +65°C
Storage Temperature	-55°C ~ +85°C
Shock (Designed to meet)	MIL-STD-202 Method 213, Condition D, 500G (Non Operating)
Vibration (Designed to meet)	MIL-STD-202 Method 214, Condition D, 10G RMS (Non Operating)
Operating Life	3 Million Cycles Minimum
RF Connector	SMA Female
Actuator Terminals	Solder pins
Weight	90g max

**Notes**

\*For model RS2T-S18FXX, replace the XX with the desired Actuator Voltage. Example: RS2T-S18F12 for 12 Volts.

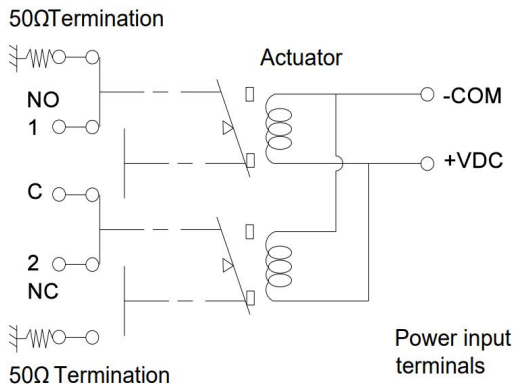
**SPDT Electromechanical Switch, Terminated, Failsafe, DC to 18 GHz, SMA, Solder Pins**

**Drawing** (unit: mm, tolerance +/-0.5mm)



**Schematic**

Position: De-energized



Voltage	RF Path
De-energized	C -- 2
Energized	C -- 1