

## SPDT Electromechanical Switch, Terminated, Latching, DC to 18 GHz, SMA, TTL, Indicators, Solder Pins

### Electrical

Switch Type	SPDT, Terminated			
Actuator Type	Latching			
Switching Sequence	Break before make			
Switching Time	15 ms max			
Impedance	50 Ohms			
Frequency Range	DC-18 GHz			
*Nominal Actuating Voltage, Vdc	12 (11 to 13)	18 (16 to 20)	24 (22 to 26)	28 (26 to 30)
Actuating Current, mA	400	240	180	230
TTL Control	On: 2.4 to 5 Volts, Off: 0 to 0.8 Volts			
Indicator Rating	1 Watts / 50 Volts / 100 mA			



Frequency (GHz)	DC-6	6-12	12-18
VSWR (max)	1.2	1.3	1.4
Insertion Loss dB (max)	0.20	0.30	0.40
Isolation dB (min)	70	70	60

### Environmental & Mechanical

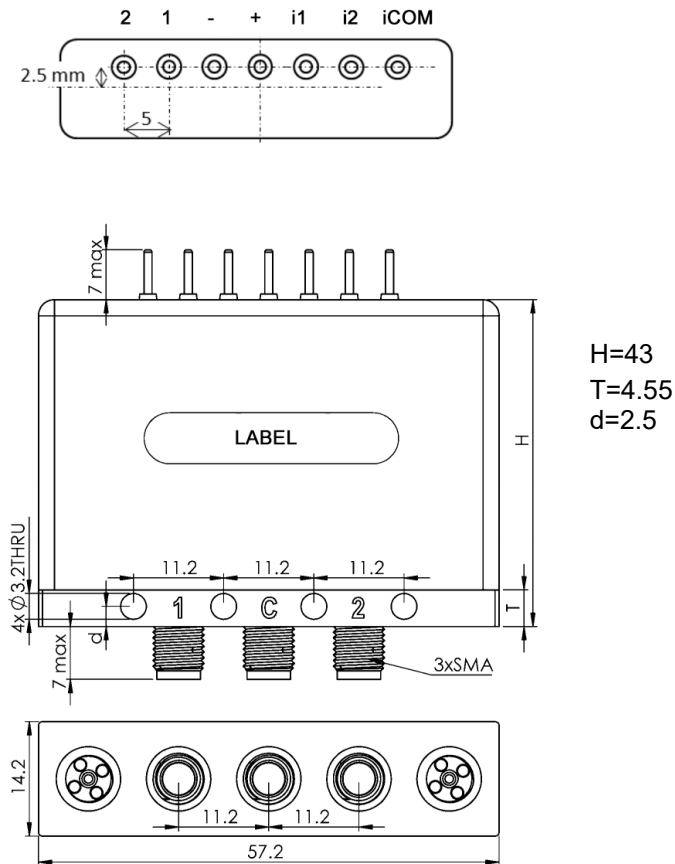
Operating Temperature	-25°C~+65°C
Storage Temperature	-55°C~+85°C
Shock (Designed to meet)	MIL-STD-202 Method 213, Condition D, 500G (Non Operating)
Vibration (Designed to meet)	MIL-STD-202 Method 214, Condition D, 10G RMS (Non Operating)
Operating Life	3 Million Cycles Minimum
RF Connector	SMA Female
Actuator Terminals	Solder pins
Weight	90g max

### Notes

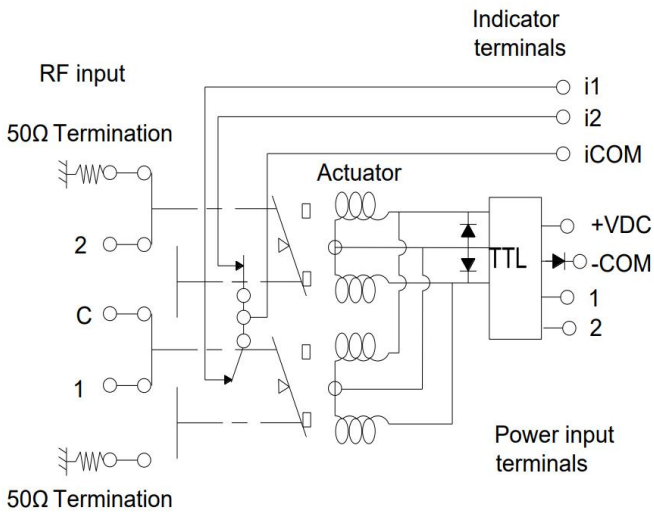
\*For model RS2T-S18LXX-TI, replace the XX with the desired Actuator Voltage. Example: RS2T-S18L12-TI for 12 Volts.

**SPDT Electromechanical Switch, Terminated, Latching, DC to 18 GHz, SMA, TTL, Indicators, Solder Pins**

Drawing (unit: mm, tolerance +/-0.5mm)



**Schematic**



Logic Table					
Terminals		RF Path		Indicator	
1	2	1-C	2-C	i1-iCOM	i2-iCOM
0	0	No Change		No Change	
0	1	Off	On	Off	On
1	0	On	Off	On	Off
1	1	Forbidden		Forbidden	