

**SP4T Electromechanical Switch**
**Terminated, Latching, DC to 40 GHz, 2.92mm, TTL, 15 Pin D-Sub**
**Electrical**

Switch Type	SP4T, Terminated			
Actuator Type	Latching			
Switching Sequence	Break before make			
Switching Time	15 ms max			
Impedance	50 Ohms			
Frequency Range	DC-40 GHz			
*Nominal Actuating Voltage, Vdc	12 (11 to 13)	18 (16 to 20)	24 (22 to 26)	28 (26 to 30)
Actuating Current, mA	350	240	180	160
TTL Control	On: 2.4 to 5 Volts, Off: 0 to 0.8 Volts			



Frequency (GHz)	DC-6	6-12	12-18	18-32	32-40
VSWR (max)	1.3	1.4	1.5	1.9	2.1
Insertion Loss dB (max)	0.30	0.40	0.50	0.80	1.30
Isolation dB (min)	70	60	60	55	50

**Environmental & Mechanical**

Operating Temperature	-25°C~+65°C
Storage Temperature	-55°C~+85°C
Shock (Designed to meet)	MIL-STD-202 Method 213, Condition D, 500G (Non Operating)
Vibration (Designed to meet)	MIL-STD-202 Method 214, Condition D, 10G RMS (Non Operating)
Operating Life	2 Million Cycles Minimum
RF Connector	2.92mm Female
Actuator Terminals	15 Pin D-Sub Male
Weight	240g max

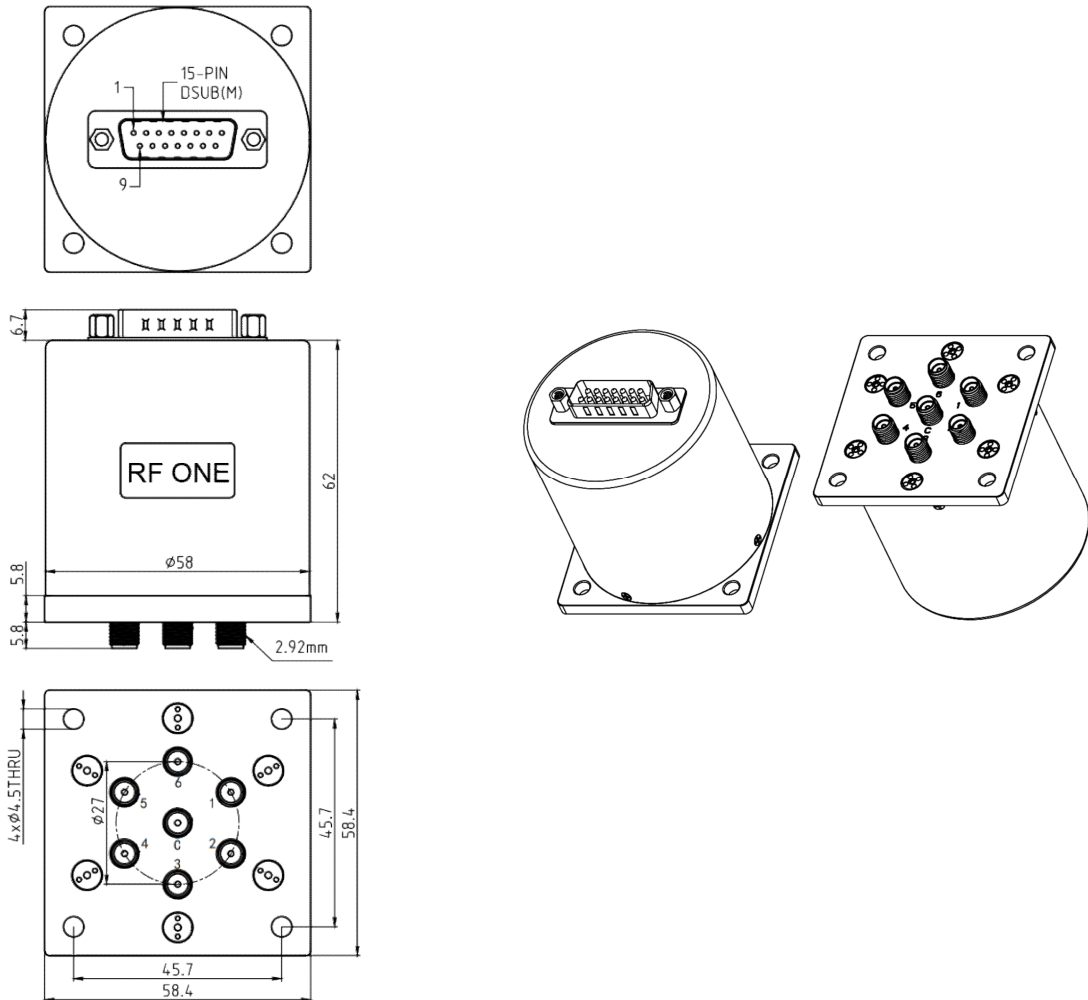
**Notes**

\*For model RS4T-K40LXX-TD, replace the XX with the desired Actuator Voltage. Example: RS4T-K40L12-TD for 12 Volts.

**SP4T Electromechanical Switch**

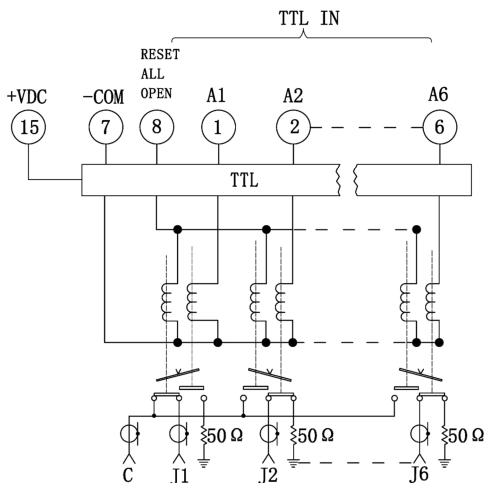
**Terminated, Latching, DC to 40 GHz, 2.92mm, TTL, 15 Pin D-Sub**

**Drawing (unit: mm, tolerance +/-0.5mm)**



\*For SP4T, use only RF Ports 1, 2, 4, 5, ports 3 & 6 are terminated.

**Schematic**



**15 Pin D-Sub**

Pin No.	Function	Pin No.	Function
1	TTL INPUT 1	9	N/A
2	TTL INPUT 2	10	N/A
3	N/A	11	N/A
4	TTL INPUT 4	12	N/A
5	TTL INPUT 5	13	N/A
6	N/A	14	N/A
7	-COM	15	+VDC
8	RESET ALL OPEN		