

SP6T Electromechanical Switch
Normally Open, DC to 18 GHz, SMA, TTL, Indicators, 15 Pin D-Sub
Electrical

| | | | | |
|---------------------------------|---|------------------|------------------|------------------|
| Switch Type | Reflective | | | |
| Actuator Type | Normally Open | | | |
| Switching Sequence | Break before make | | | |
| Switching Time | 15 ms max | | | |
| Impedance | 50 Ohms | | | |
| Frequency Range | DC-18 GHz | | | |
| *Nominal Actuating Voltage, Vdc | 12 (11 to 13) | 18 (16 to 20) | 24 (22 to 26) | 28 (26 to 30) |
| Actuating Current, mA | 290 | 190 | 150 | 140 |
| TTL Control | On: 2.4 to 5 Volts, Off: 0 to 0.8 Volts | | | |
| Indicator Rating | 1 Watts / 50 Volts / 100 mA | | | |



| Frequency (GHz) | DC-6 | 6-12 | 12-18 |
|-------------------------|------|------|-------|
| VSWR (max) | 1.3 | 1.4 | 1.5 |
| Insertion Loss dB (max) | 0.30 | 0.40 | 0.50 |
| Isolation dB (min) | 70 | 60 | 60 |

Environmental & Mechanical

| | |
|------------------------------|--|
| Operating Temperature | -25°C~+65°C |
| Storage Temperature | -55°C~+85°C |
| Shock (Designed to meet) | MIL-STD-202 Method 213, Condition D, 500G (Non Operating) |
| Vibration (Designed to meet) | MIL-STD-202 Method 214, Condition D, 10G RMS (Non Operating) |
| Operating Life | 2 Million Cycles Minimum |
| RF Connector | SMA Female |
| Actuator Terminals | 15 Pin D-Sub Male |
| Weight | 190g max |

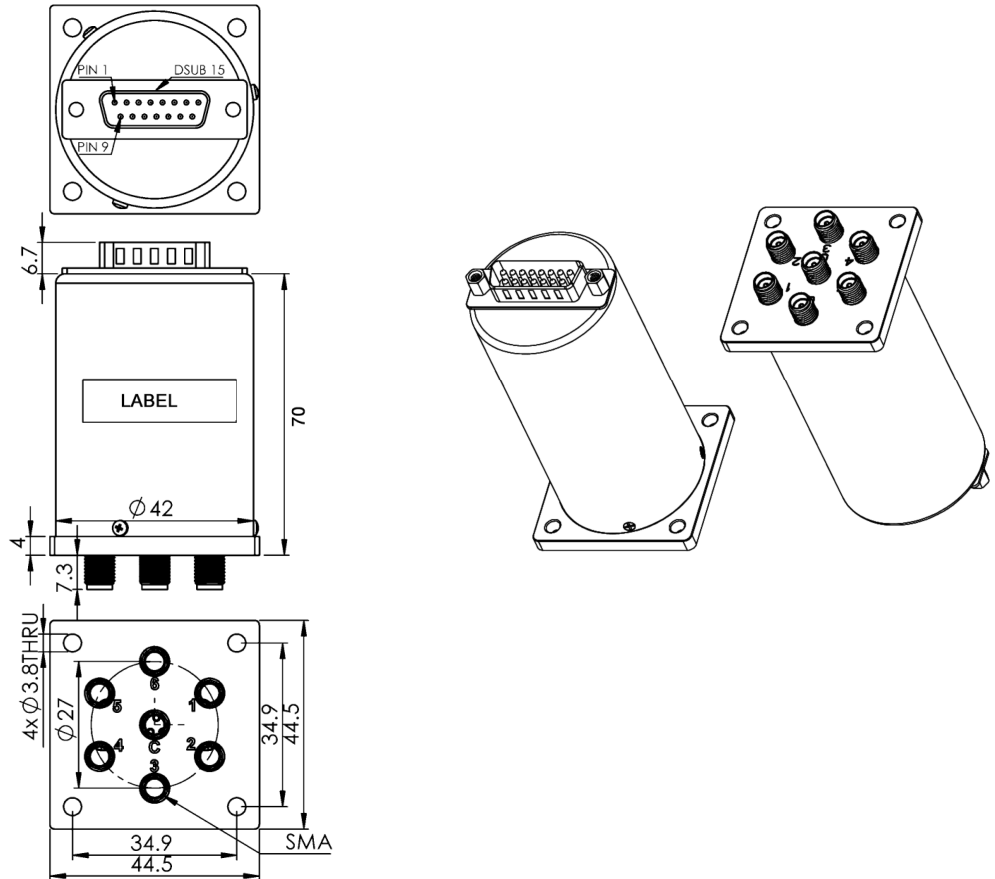
Notes

*For model RS6-S18NXX-TID, replace the XX with the desired Actuator Voltage. Example: RS6-S18N12-TID for 12 Volts.

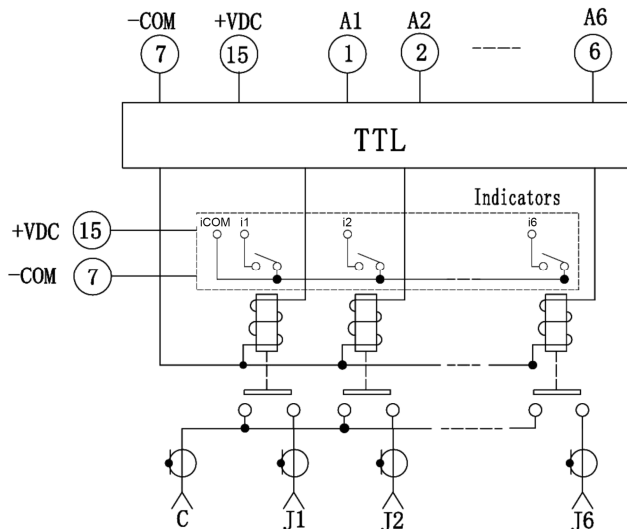
SP6T Electromechanical Switch

Normally Open, DC to 18 GHz, SMA, TTL, Indicators, 15 Pin D-Sub

Drawing (unit: mm, tolerance +/-0.5mm)



Schematic



15 Pin D-Sub

| Pin No. | Function | Pin No. | Function |
|---------|-------------|---------|---------------|
| 1 | TTL INPUT 1 | 9 | Indicator 2 |
| 2 | TTL INPUT 2 | 10 | Indicator 3 |
| 3 | TTL INPUT 3 | 11 | Indicator 4 |
| 4 | TTL INPUT 4 | 12 | Indicator 5 |
| 5 | TTL INPUT 5 | 13 | Indicator 6 |
| 6 | TTL INPUT 6 | 14 | Indicator COM |
| 7 | -COM | 15 | +VDC |
| 8 | Indicator 1 | | |