



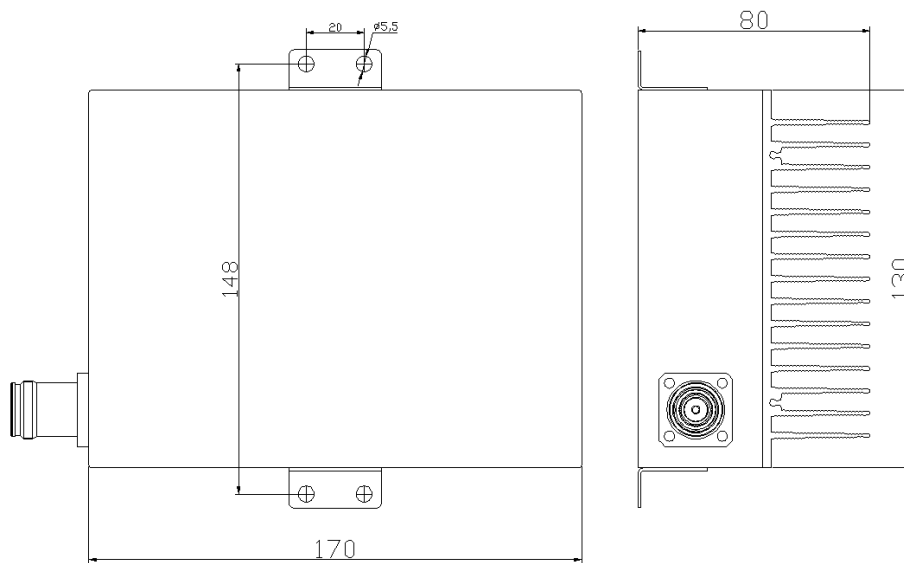
**Electrical & Environmental**

|                    |   |
|--------------------|---|
| Impedance          | 50 ohm  |
| Frequency Range    | 400-6000 MHz  |
| Return Loss        | 16 dB min@400-600MHz, 18dB min@600-6000 MHz         |
| Input Avg Power    | 150W@ 25°C  |
| PIM (Intermod)     | -160dBc min (with 2×20W tones at 850/2600MHz @25°C) |
| Ingress Protection | Indoor use only                                     |
| Operating Temp     | -30°C-+65°C   |

**Mechanical**

|                |                             |
|----------------|-----------------------------|
| Connector      | N female                    |
| Connector Body | Brass, ternary alloy plated |
| Center Contact | Silver plated BeCu          |
| Dielectric     | PTFE                        |
| Housing        | Aluminum, anodized black    |
| Net Weight     | About 2.5kg                 |

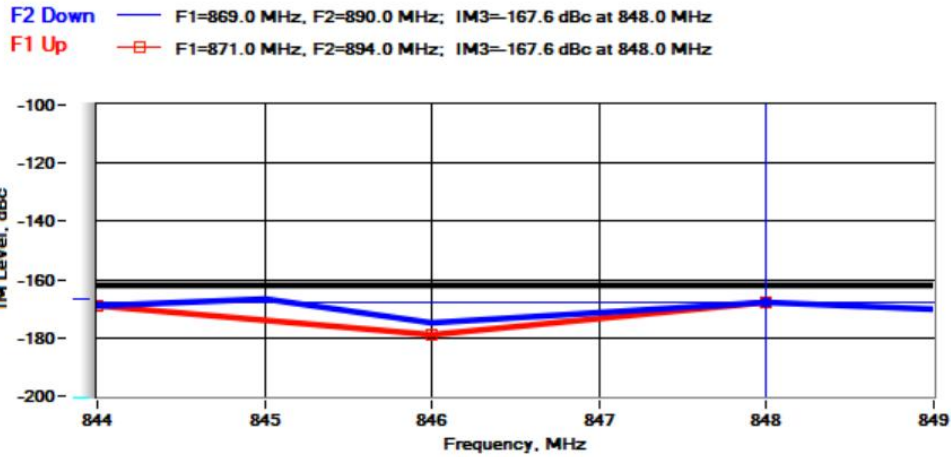
**Dimensions(mm)**



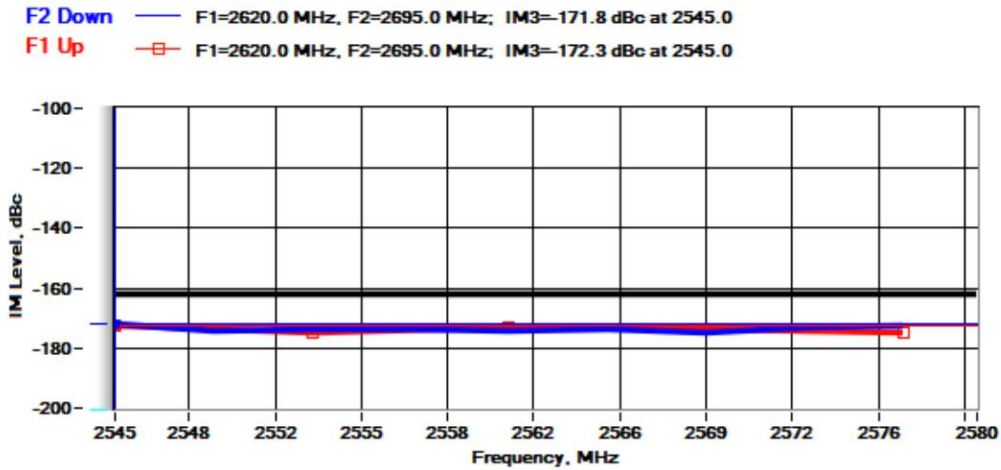


Typical Test Data

Passive IM Response(850MHz)



Passive IM Response(1800MHz)





S Parameter

