

Waveguide Fixed Attenuator

WA51500-40

40dB, WR51, 14.5-22 GHz, 500 Watts, Square Cover Flange



Rev 2

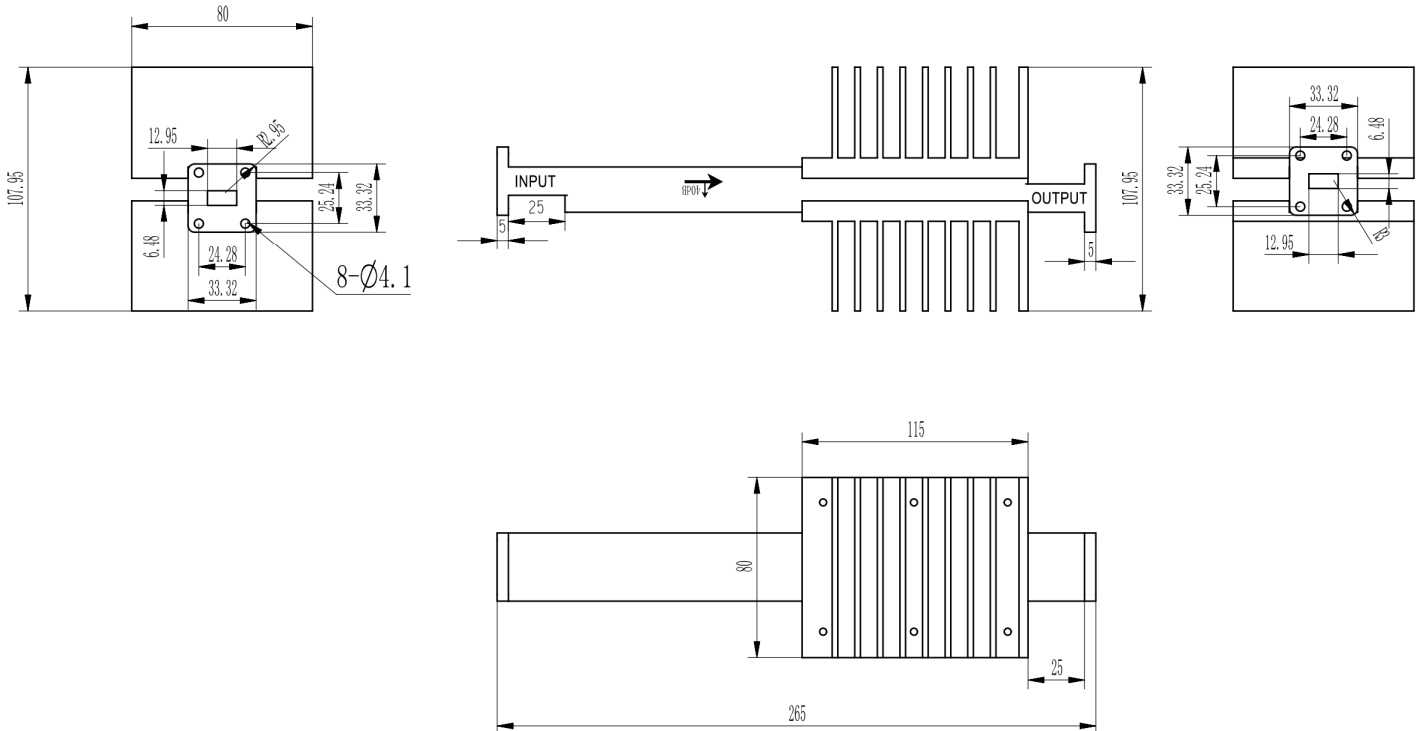
Electrical

Frequency Range	14.5-22 GHz
VSWR	1.2 max
Attenuation	40 ± 1.0 dB
Input Avg Power	500 Watts
Operating Temperature	-40 °C ~ +85 °C

Mechanical

Waveguide Size	WR51(R180)
Flange Type(Input&Output)	MIL3922/70-023
Material	Aluminum
Internal Finish	Conductive oxidation
External Finish	Painted
Net Weight	1200g

Dimensions(mm)





Typical Test Data

