



Waveguide Broadwall Directional Coupler

WDC112RSF-40

40dB, WR112, 6.57-9.9 GHz, UDR84 Cover Flange, SMA Female Coupled Port

Rev 1

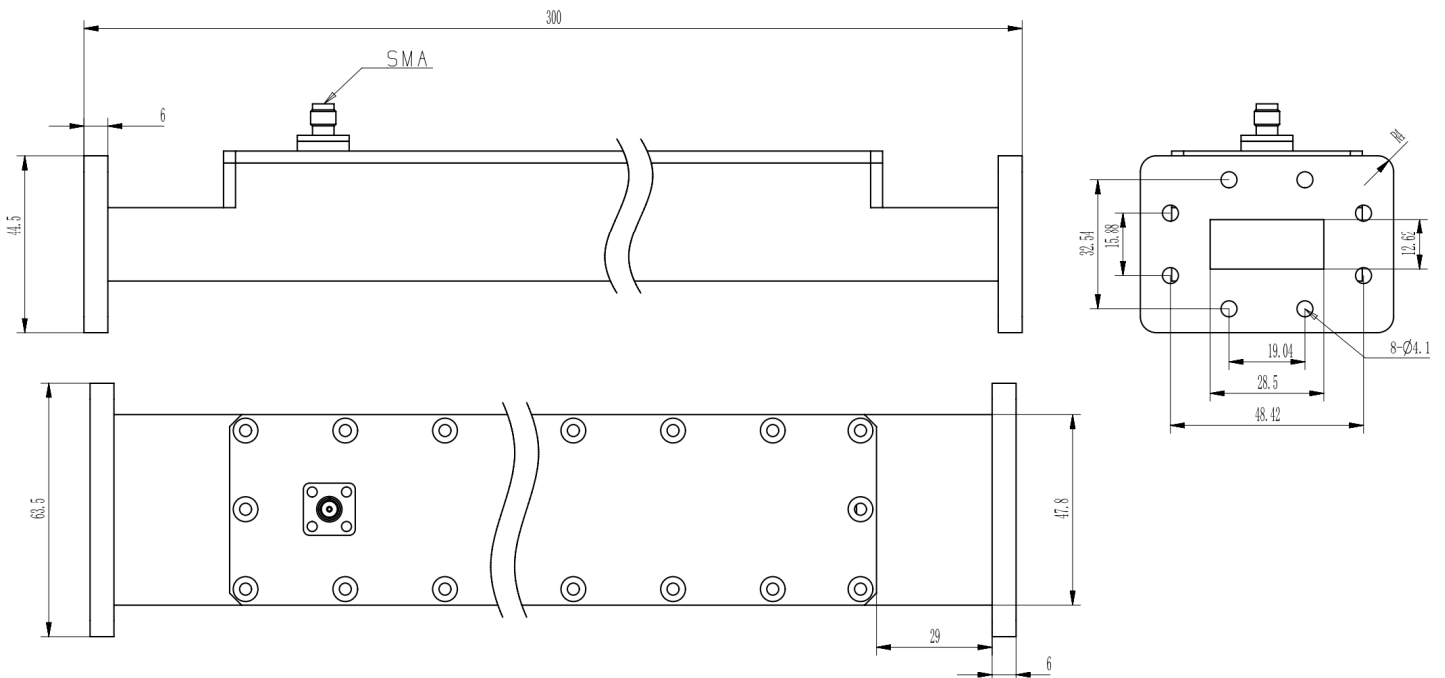
Electrical

Frequency Range	6.57-9.9 GHz
VSWR	1.10 max(Main line), 1.3 max (Secondary line)
Coupling	40 ± 1.2 dB
Directivity	30 dB min
Operating Temperature	-40°C ~ +70°C

Mechanical

Waveguide Size	WR112(R84)
Flange Type	IEC: UDR84
Flange Material and plating	Aluminum, Conductive oxidation
Body Material and Plating	Aluminum, Painted
Coupled Port	SMA Female
Net Weight	Approx 630g

Dimensions(mm)





Waveguide Broadwall Directional Coupler

WDC112RSF-40

40dB, WR112, 6.57-9.9 GHz, UDR84 Cover Flange, SMA Female Coupled Port

Rev 1

Typical Test Data

