



Waveguide Broadwall Directional Coupler

WDC2224F-30

30dB, WR22, 32.9-50 GHz, Round Cover Flange, 2.4mm Female Coupled Port

Rev 1

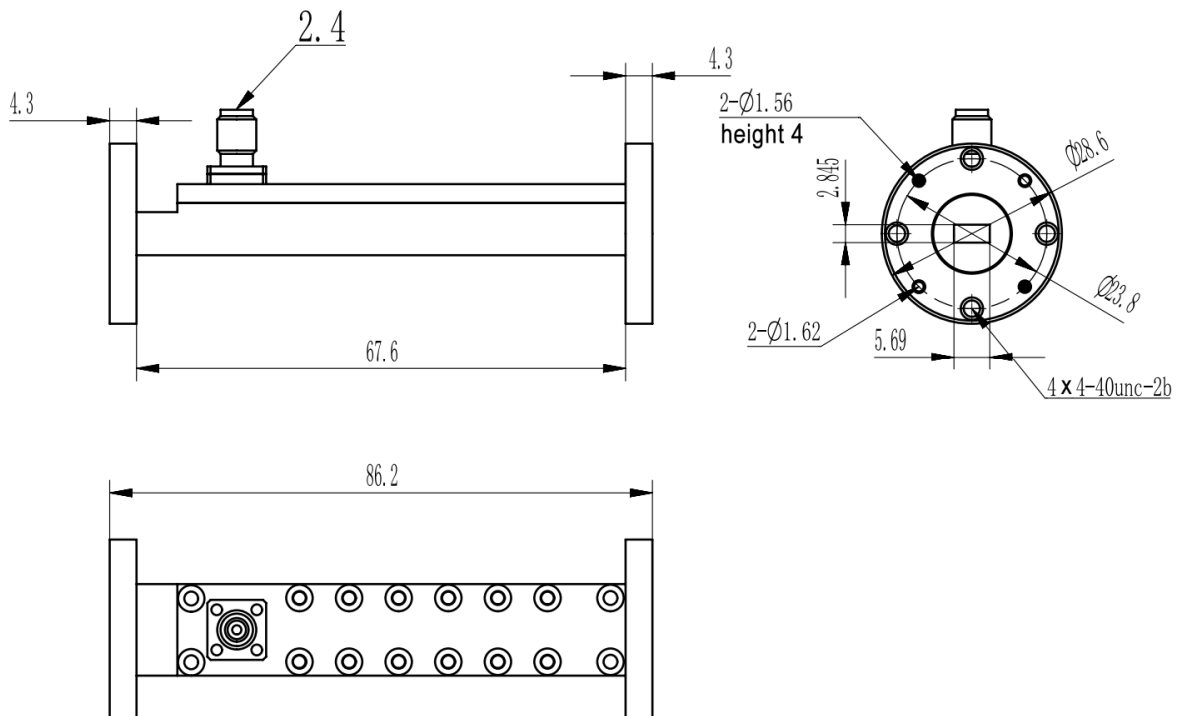
Electrical

Frequency Range	32.9-50 GHz
VSWR	1.10 max(Main line), 1.5 max (Secondary line)
Coupling	30 ± 1.5 dB
Directivity	25 dB min
Insertion Loss	0.5 dB max
Operating Temperature	-40°C ~ +70°C

Mechanical

Waveguide Size	WR22(R400)
Flange Type	UG383/U
Flange Material and plating	Copper, gold plated
Body Material and Plating	Copper, gold plated
Net Weight	Approx 130g

Dimensions(mm)





Typical Test Data





30dB, WR22, 32.9-50 GHz, Round Cover Flange, 2.4mm Female Coupled Port

